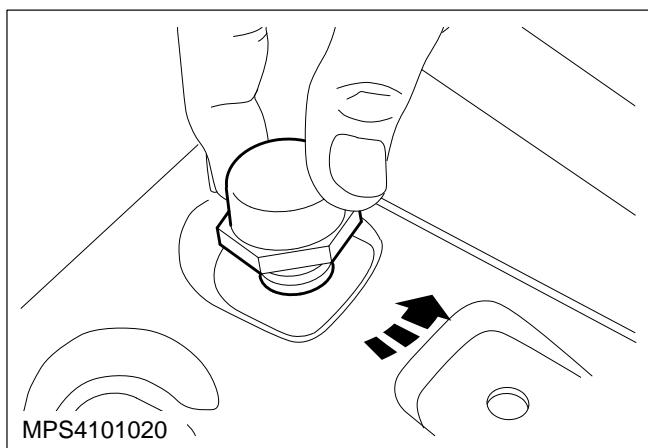


**Bumper Rubber – Hood – Remove and Install (41 253 0)****Remove**

- 1. Unscrew the bumper rubber from the hood landing panel.**

Note the number of turns in removing to assist in hood height adjustment during replacement.

**Install**

- 2. Refit the components in reverse order**
- 3. Check the hood height adjustment.**

Increase the number of bumper rubber turns to lower the hood height or decrease the number to raise the hood.