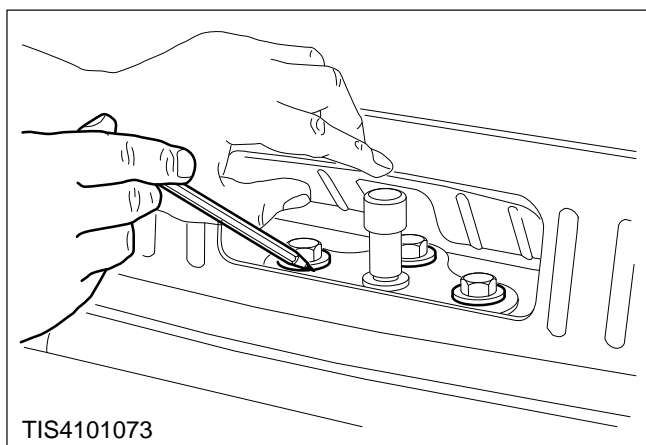
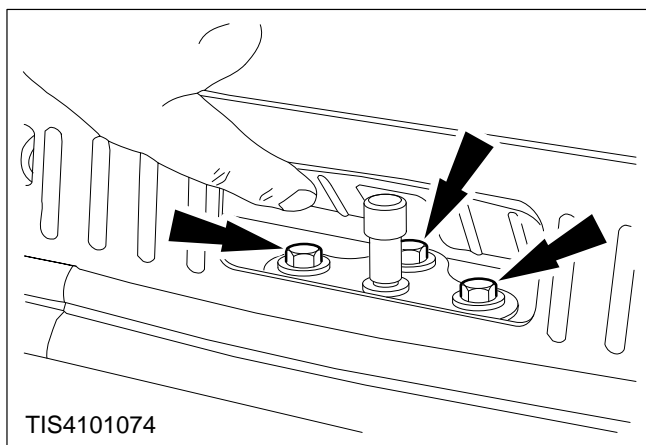


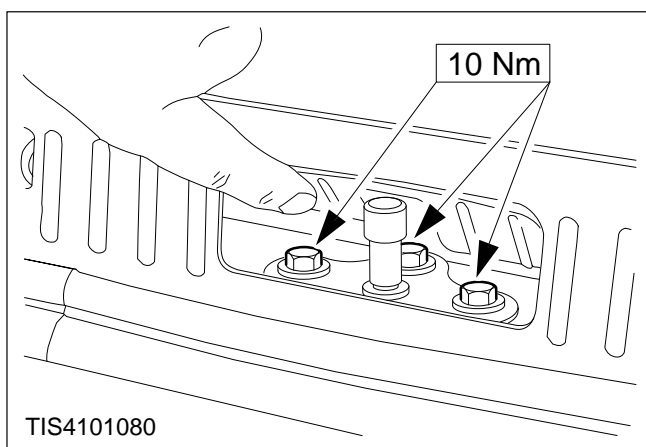
Striker Post Luggage Compartment Lid – Remove and Install (41 734 0)**Remove**

- 1. Push down the reveal flap and using a suitable marker pen, mark the position of the striker post.**



- 2. Remove the striker post.**

Three bolts.

**Install**

- 3. Refit the components in reverse order.**

Carefully position the striker post to the markings before fully tightening the retaining bolts.