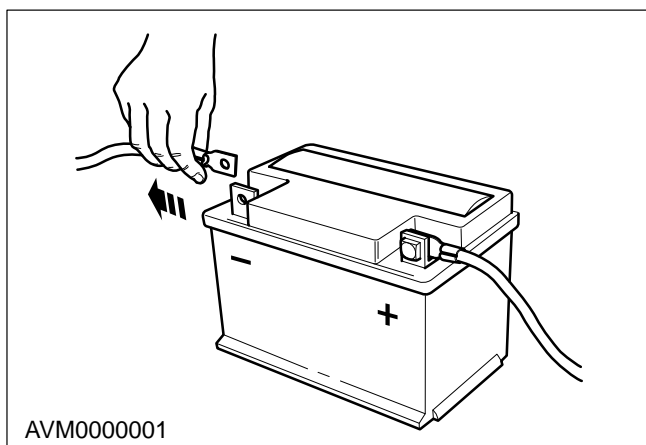
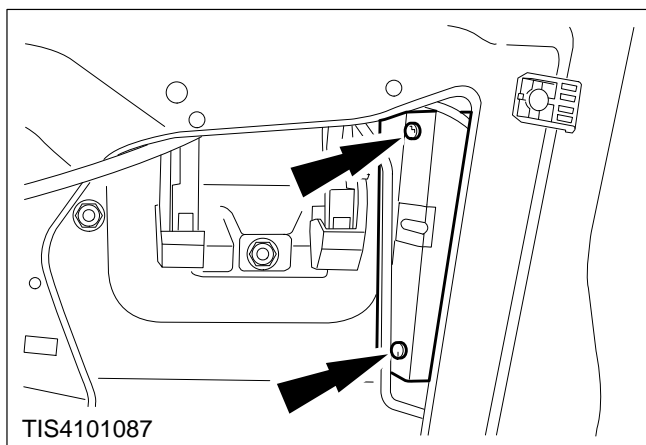
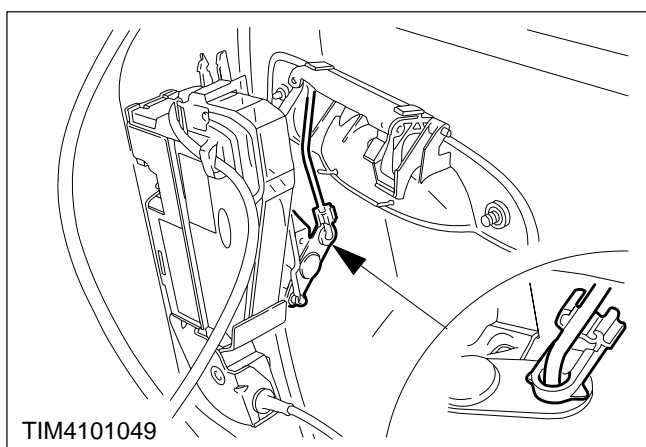


Handle – Door Exterior (Front) – Remove and Install (41 333 0)**Remove**

1. **Disconnect the battery negative lead.**
2. **Remove the door trim panel (refer to Operation Number 43 705 0).**
3. **Remove the door window glass (refer to Operation Number 42 314 0).**

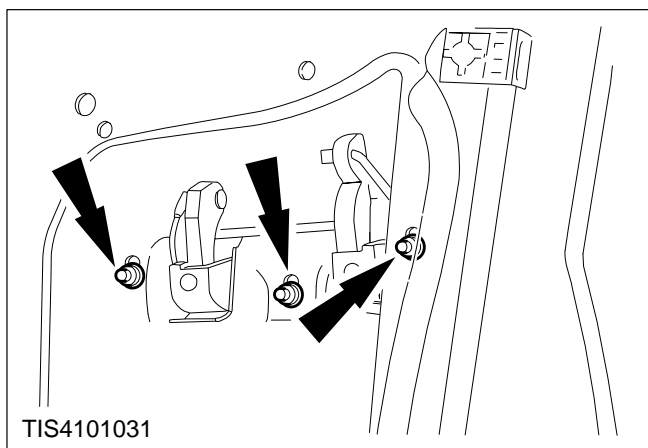


4. **Remove the door barrel lock shield (two screws).**

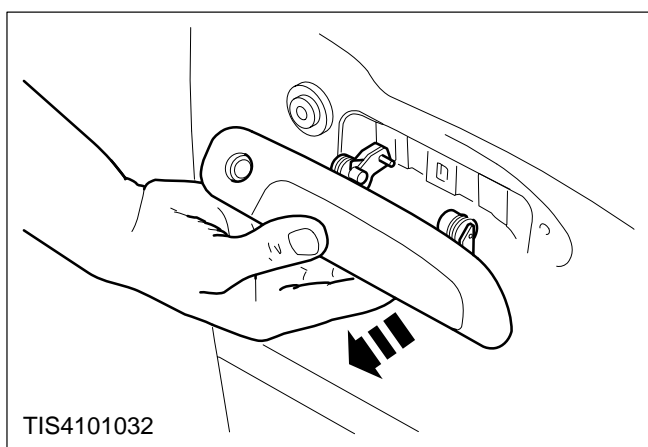


5. **Disconnect the door lock actuating rod.**

Prise open the plastic clip at the lock lever and pull out the rod.



6. Remove the three handle retaining nuts.



7. Remove the handle.

8. Remove the actuating rod.

Turn through 90 degrees and pull out.

Install

9. Refit the components in reverse order.