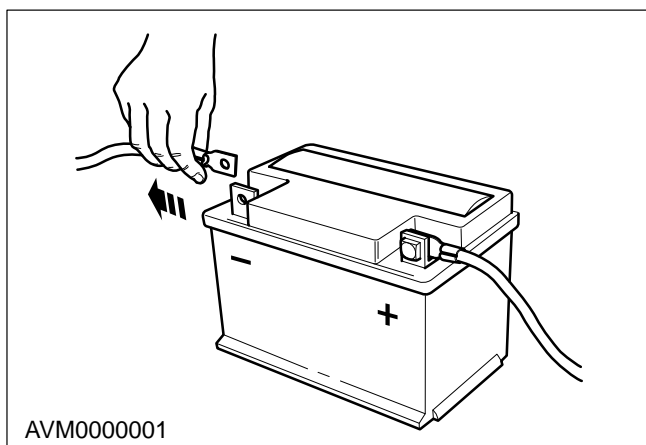
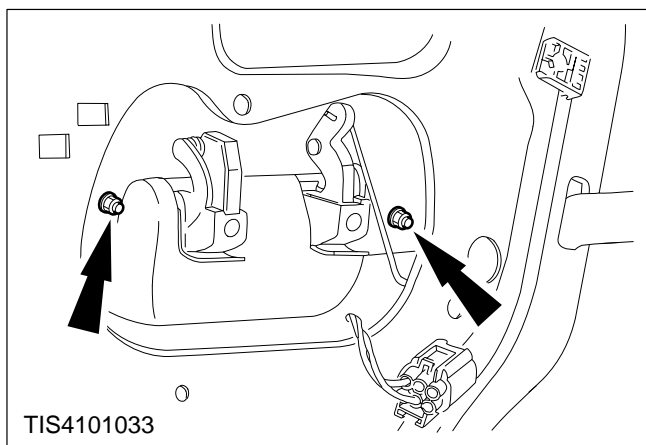


Handle – Door Exterior (Rear) – Remove and Install (41 333 0)

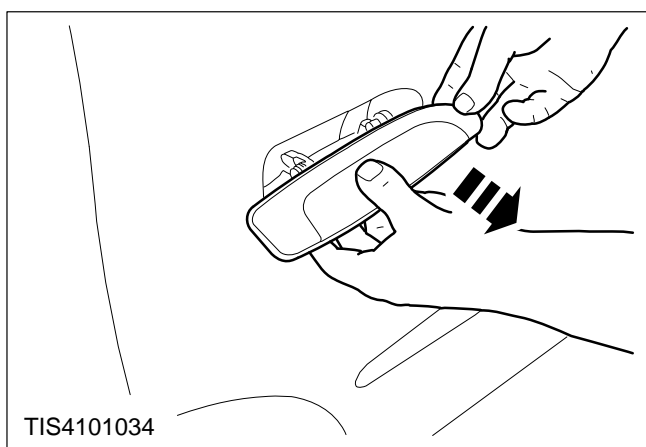


Remove

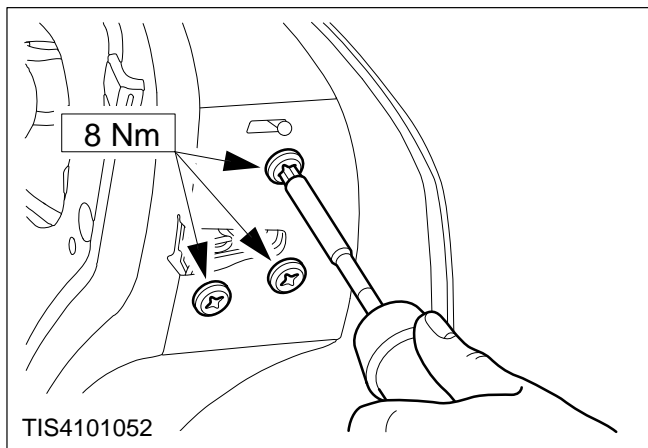
1. Disconnect the battery negative lead.
2. Remove the door trim panel (refer to Operation Number 43 706 0).
3. Remove the rear door lock assembly (refer to Operation Number 41 352 0).



4. Remove the two handle retaining nuts.



5. Remove the handle.
6. Remove the actuating rod.
Turn through 90 degrees and pull out.



Install

7. Refit the components in reverse order.