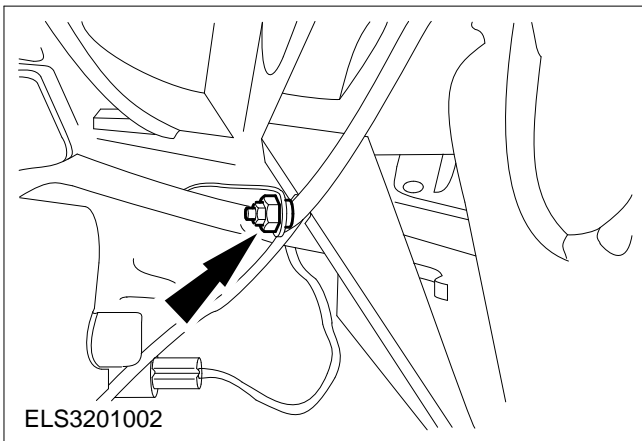


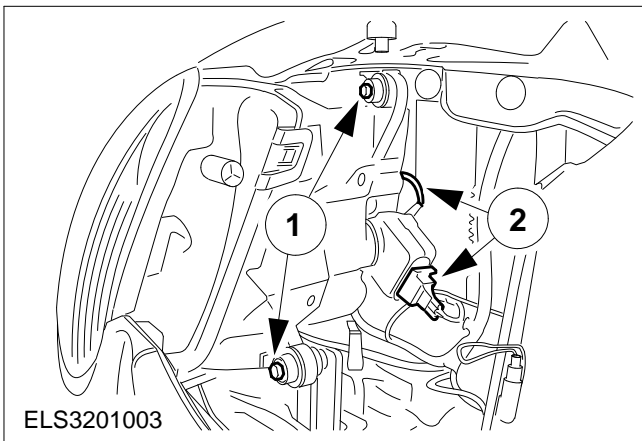
Headlamp Assembly – Remove and Install (32 115 0)



Remove

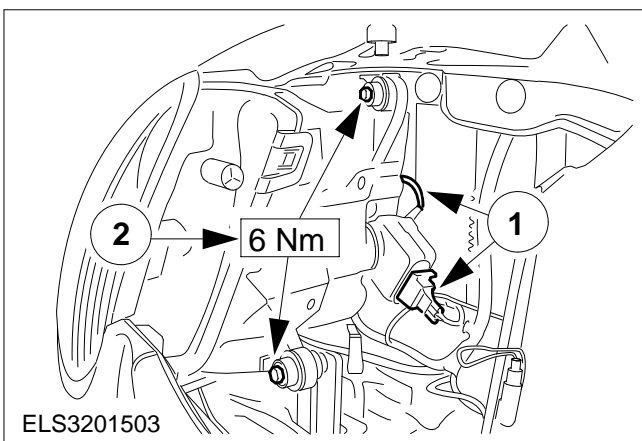
1. Remove the headlamp assembly.

- Raise the vehicle.
- Undo and remove the ground cable nut.
- Lower the vehicle.



2. Remove the headlamp assembly (continued).

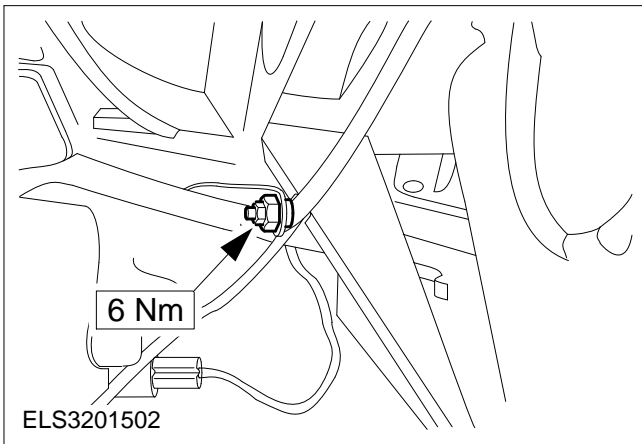
- 1 Remove the two bolts.
- 2 Disconnect the multiplugs for the headlamp and headlamp levelling system.



Install

3. Fit the headlamp assembly.

- 1 Connect the multiplugs of the headlamp and headlamp levelling system.
- 2 Tighten the bolts.

**4. Fit the headlamp assembly (continued).**

- Raise the vehicle.
- Tighten the ground cable nut.
- Lower the vehicle.
- Check the operation of the bulb.

5. Check the headlamp alignment, if necessary align the headlamps as described in Operation No. 32 113 0.