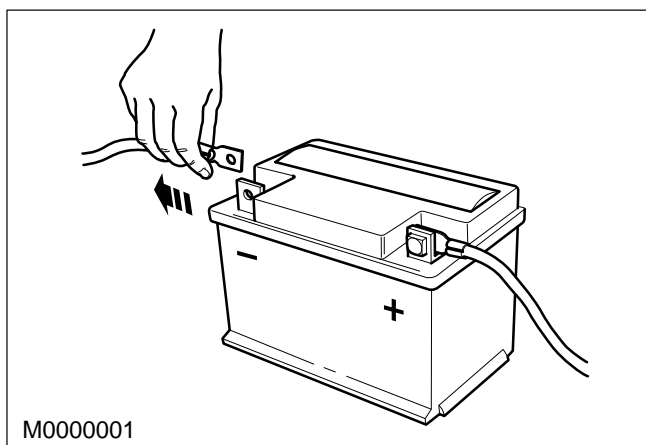
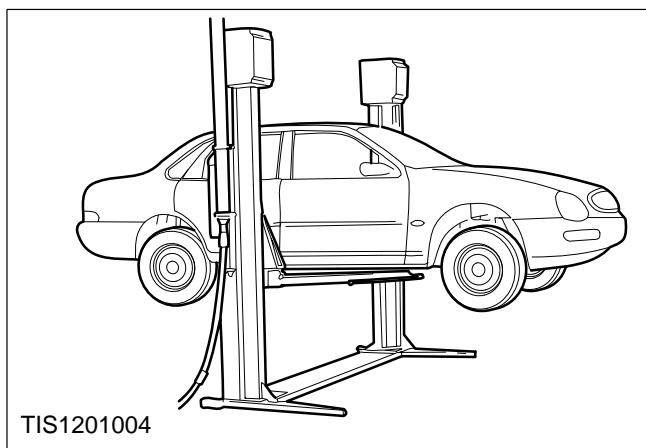


Sensor – Crankshaft Position – Remove and Install (29 230 0)

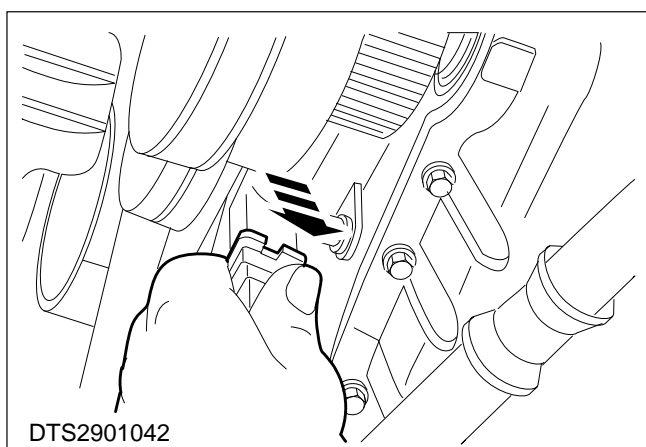


Remove

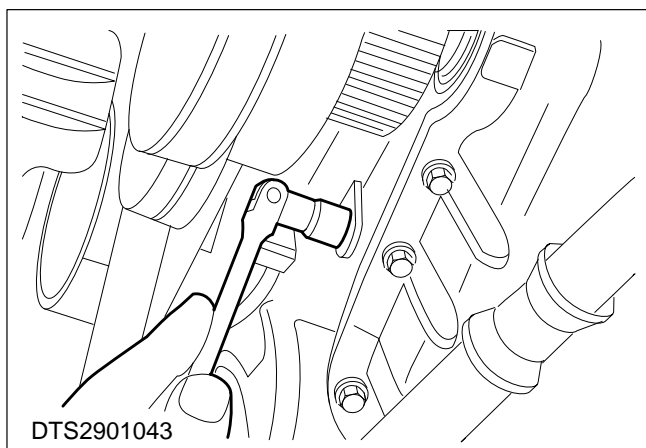
1. Disconnect the battery earth lead.



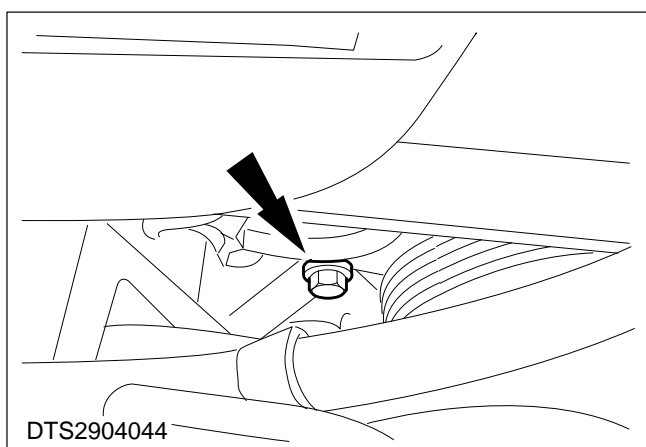
2. Raise the vehicle on a hoist.



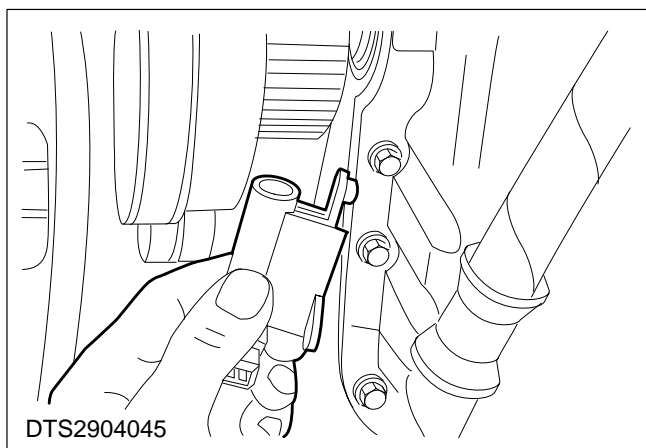
3. Disconnect the multiplug.



4. Remove the lower fixing bolt.



5. Remove the upper fixing bolt.



6. Lift the sensor off the engine.

Install

7. Refit the components in reverse order.