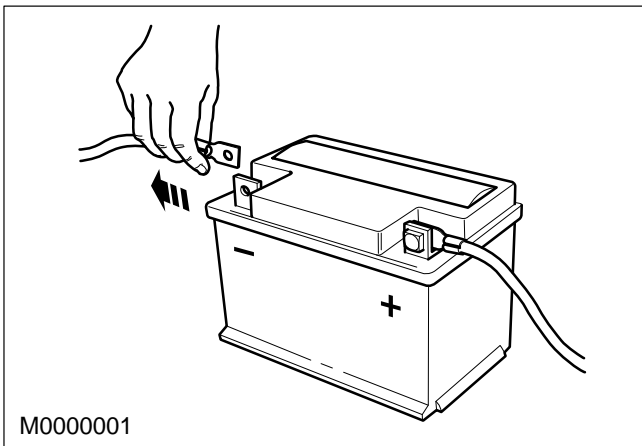
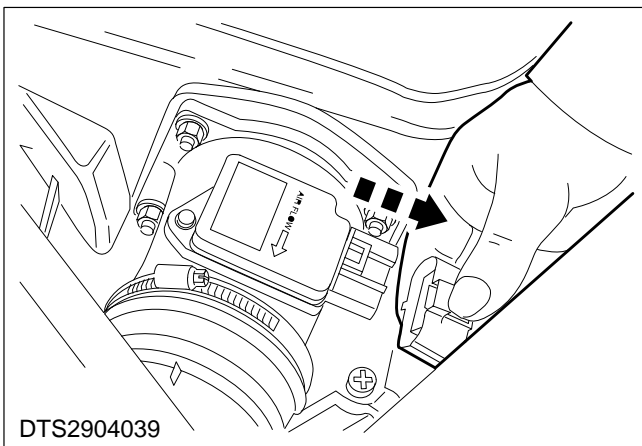


Sensor – Mass Air Flow – Remove and Install (29 226 0)

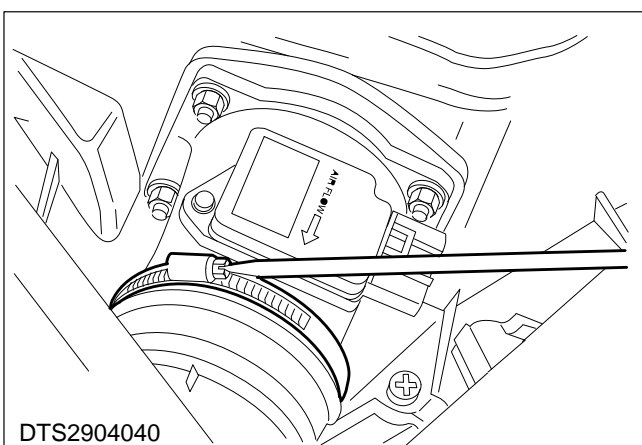


Remove

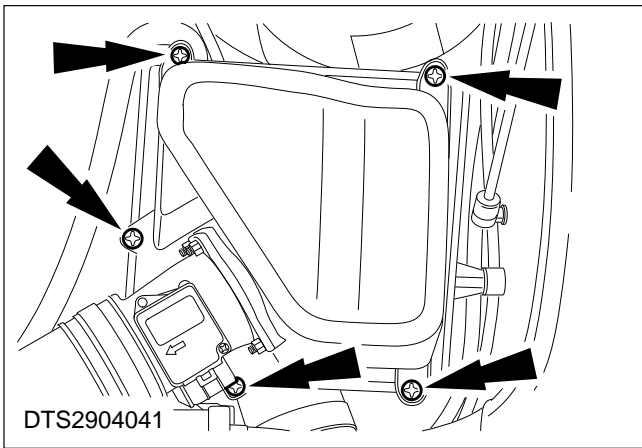
1. Disconnect the battery earth lead.



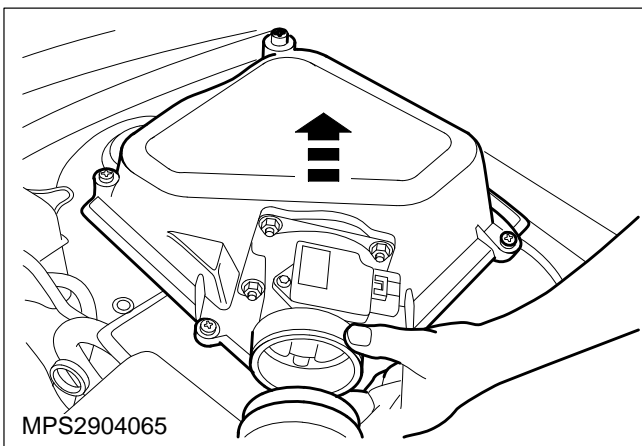
2. Disconnect the multiplug.



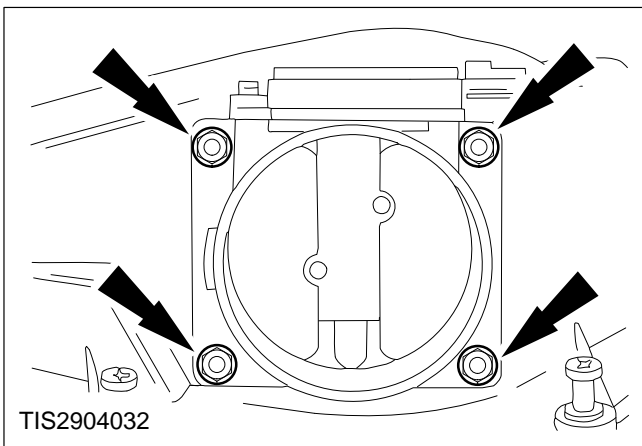
3. Disconnect the air induction pipe from the MAF sensor.



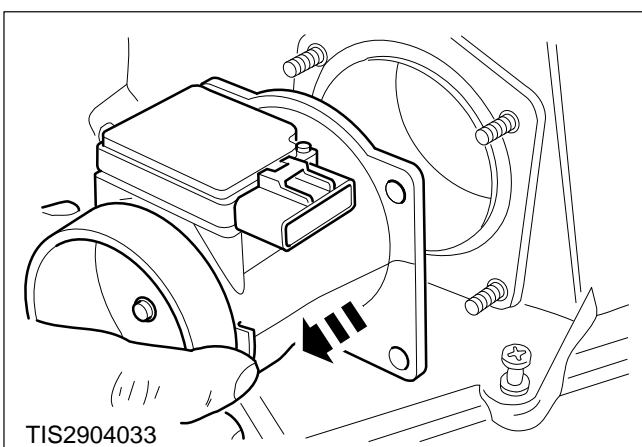
4. Remove the air cleaner assembly cover retaining screws.



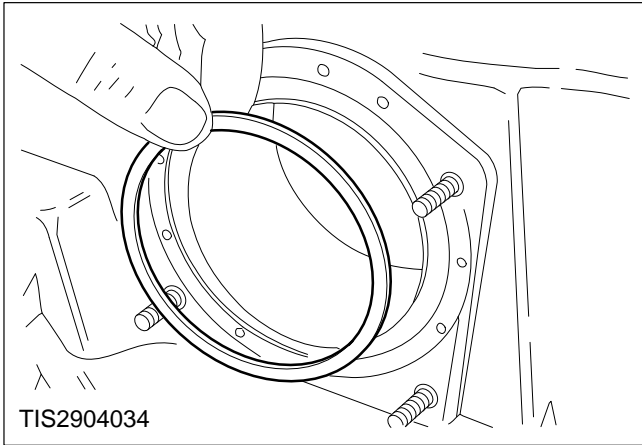
5. Lift the cover off complete with the MAF sensor.



6. Remove the sensor retaining nuts.



7. Separate the sensor from the air cleaner assembly cover.



Install

8. Refit the components in reverse order.

Use a new sealing ring on re-assembly.