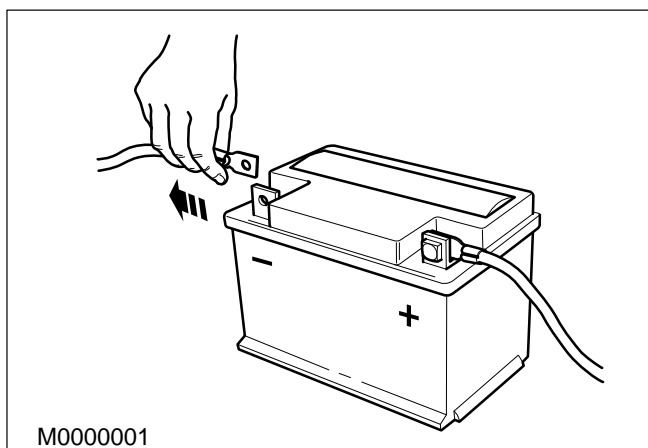
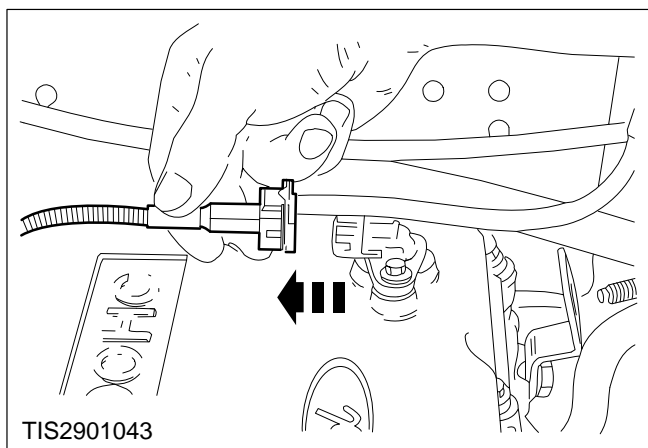


Sensor – Camshaft Position – Remove and Install (29 232 0)



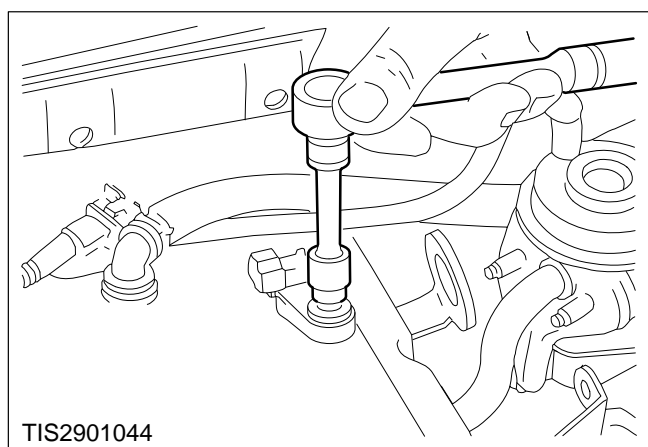
Remove

1. Disconnect the battery earth lead.

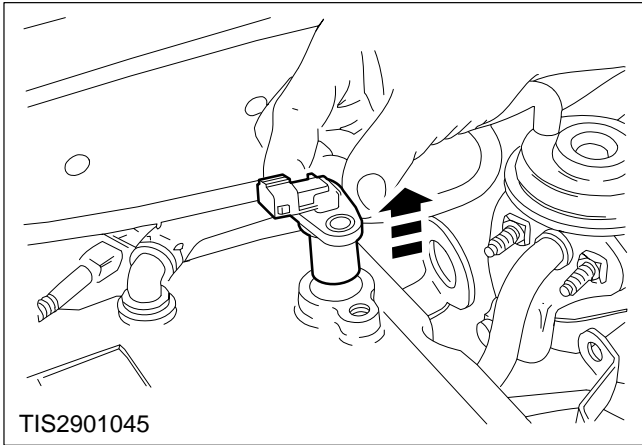


⚠ CAUTION: Do not pull on the wiring; pull on the multiplug body.

2. Disconnect the CMP sensor multiplug.



3. Unscrew the CMP sensor retaining bolt.



4. Remove the CMP sensor.

Install

5. Refit the components in reverse order.