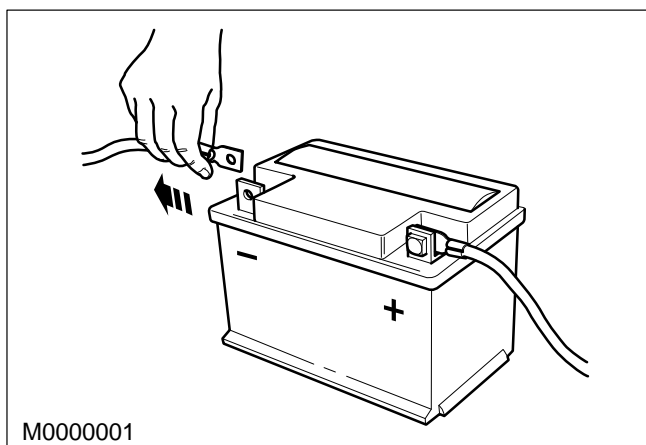
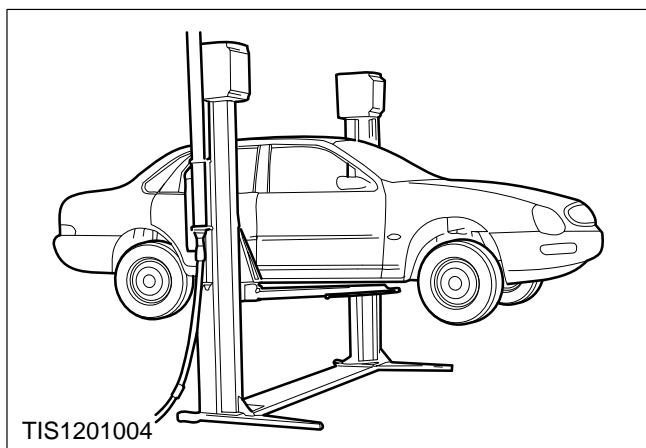


Sensor – Crankshaft Position (DOHC Variants) – Remove And Install (29 230 0)

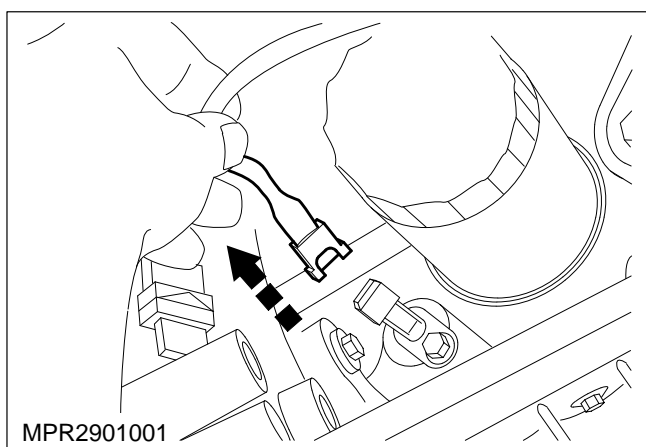


Remove

1. Disconnect the battery earth lead.

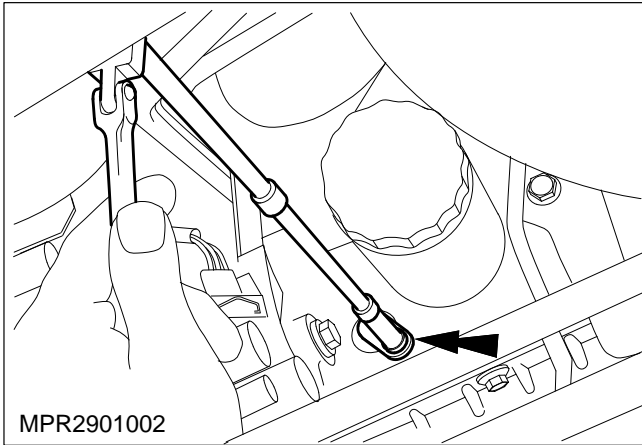


2. Raise the vehicle on a hoist.

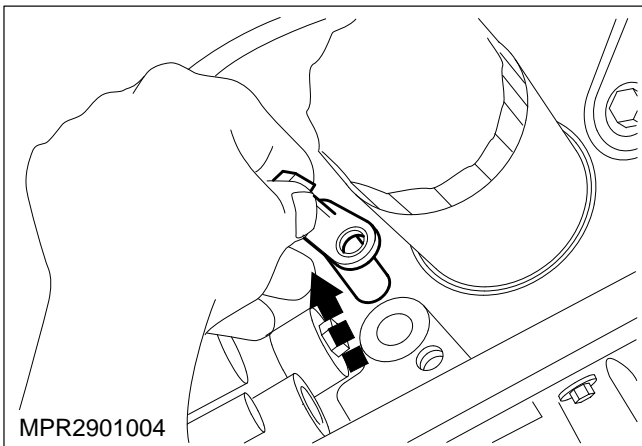


⚠ CAUTION: Do not pull on the wiring; pull on the multiplug body.

3. Disconnect the CKP sensor multiplug.



4. Unscrew the CKP sensor retaining bolt.



5. Remove the CKP sensor.

Install

6. Refit the components in reverse order.