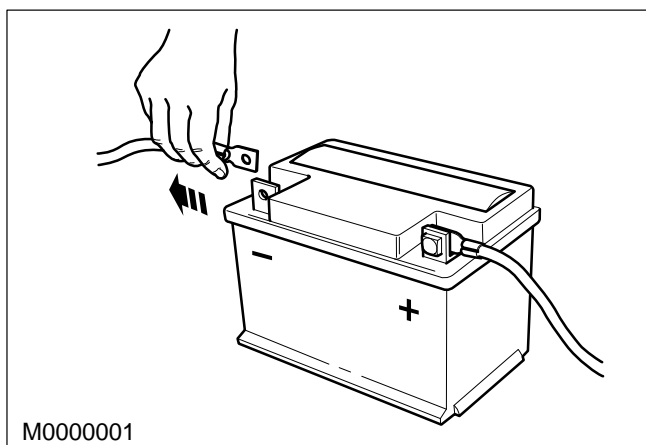
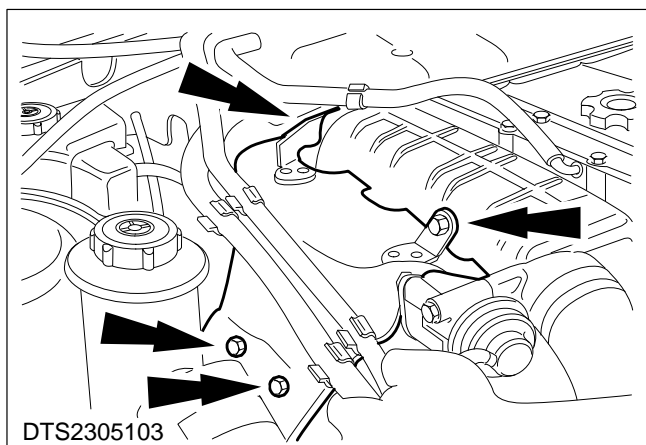



## Pipe – Exhaust Manifold to EGR Valve – Remove and Install (23 301 0)



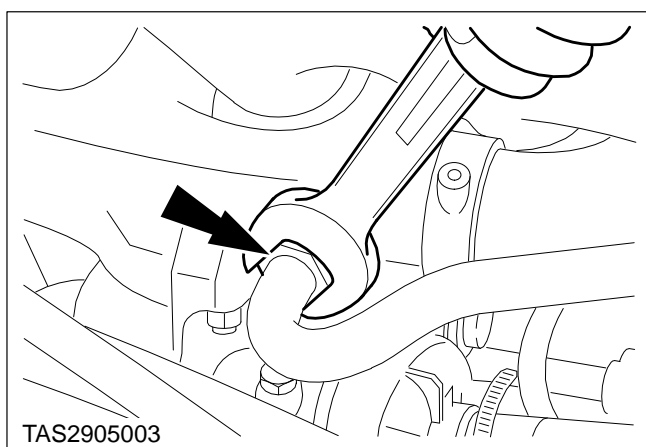
### Remove

1. Disconnect the battery earth lead.

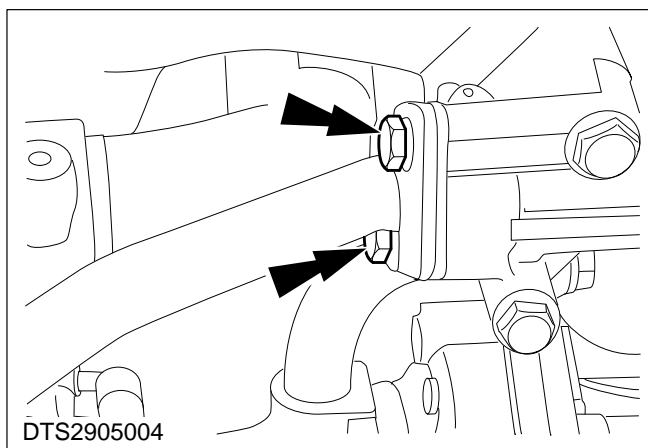


 **WARNING:** The exhaust manifold and heatshield may be hot.

2. Unscrew the fasteners and remove the heatshield.



3. Unscrew the pipe union.



4. **Unscrew the exhaust manifold to EGR valve pipe retaining bolts.**
5. **Remove and discard the exhaust manifold to EGR valve pipe.**

### Install

**⚠ CAUTION:** Take care not to allow debris to fall into the exhaust manifold.

6. **Examine the olive seats and threads in the exhaust manifold and EGR valve. Clean as required.**
7. **Refit the components in reverse order.**
  - Always use a new exhaust manifold to EGR valve pipe; do not attempt to refit the old one.
  - Loosely assemble the pipe to both the EGR valve and the exhaust manifold before tightening the unions.