

Seat Assembly – Front Bucket (High Series) – Remove and Install (40 100 0)

Remove

⚠ WARNING: If the front seat is fitted with a pyrotechnic pretensioner, wait 2 minutes after disconnecting battery before disconnecting the multiplug(s).

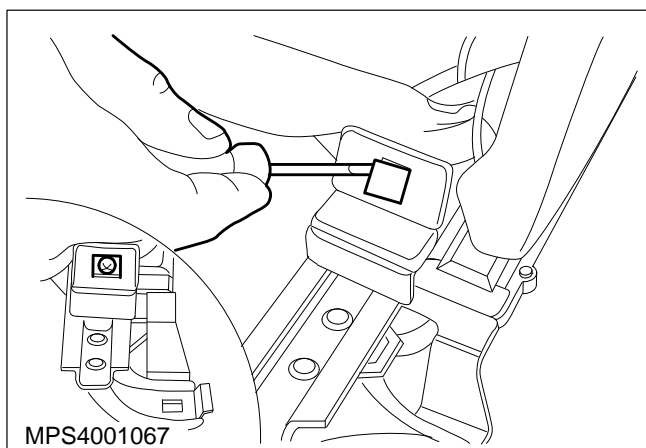
NOTE: Where both the seat and slide assembly need to be removed, refer to Operation Number 40 420 0 – Seat Slide – Remove and Install.

1. Raise the seat

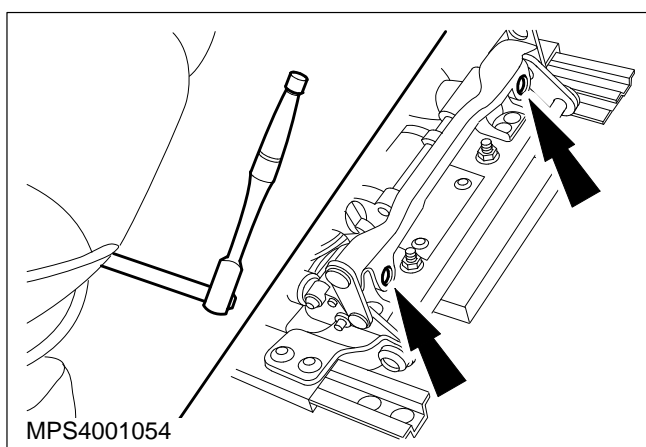
⚠ CAUTION: Disconnect the battery negative lead.

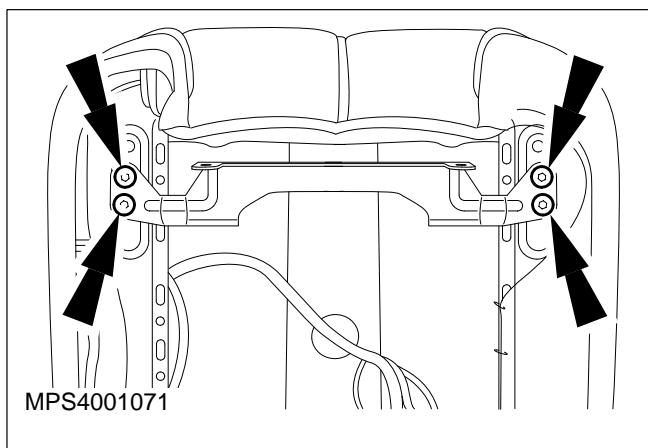
2. Disconnect both of the rear seat runner guards.

- Prise off the plastic cover (one each side).
- Remove the screw (one each side).

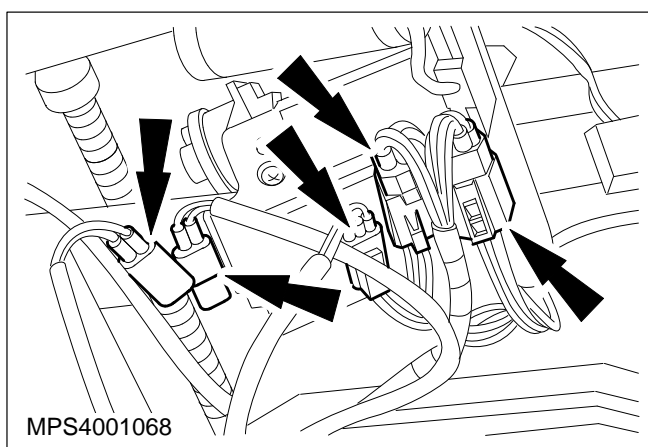


3. Remove the two bolts and tilt back the seat assembly.

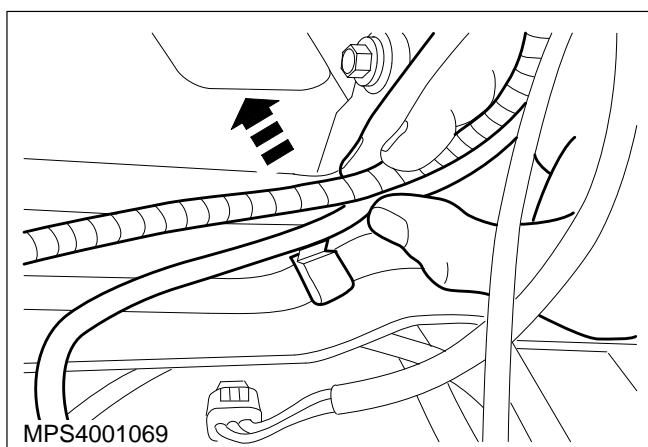




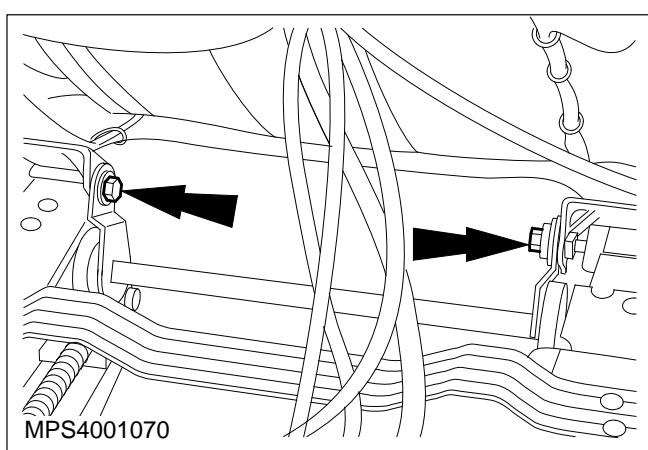
4. Remove the seat base front support bar.



5. Disconnect the five multiplugs.



6. Unclip the wiring looms.



7. Remove the two rear bolts.

8. Lift the seat out of the car.

Install

9. Refit the components in reverse order.