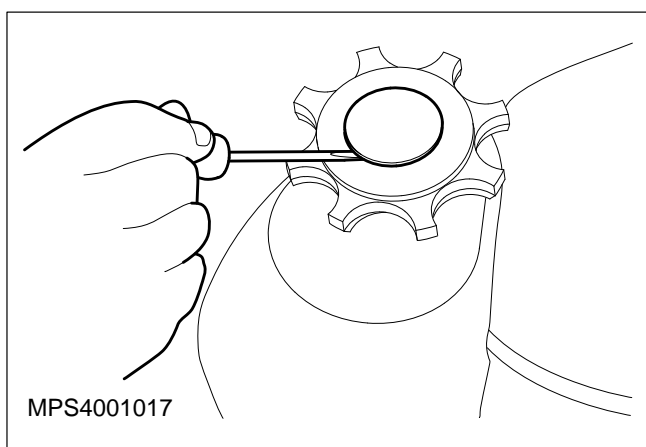
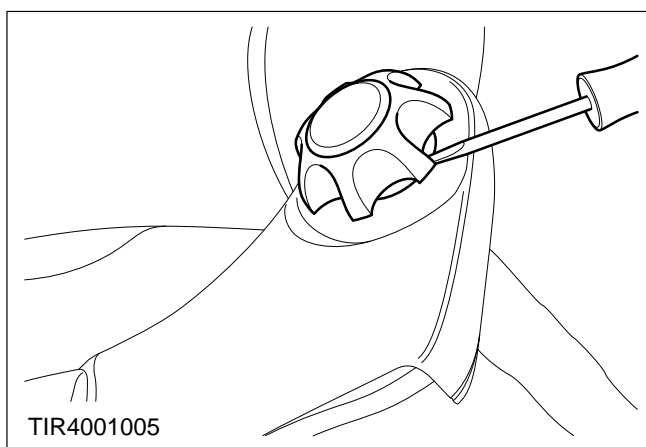


Cover and Pad Assembly – Backrest – Front Seat (Low Series) – Remove and Install (40 106 0)

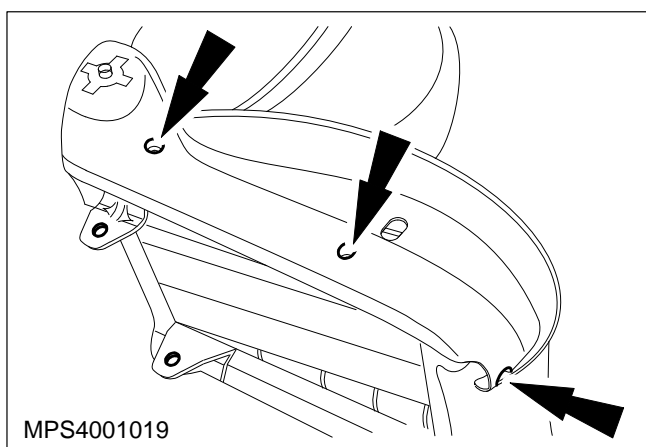


Remove

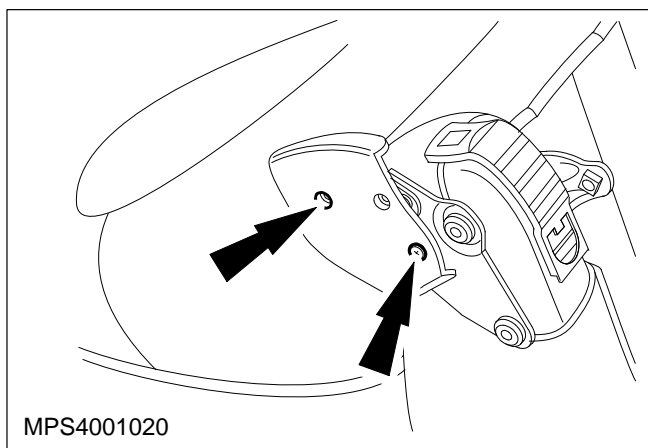
1. Remove the front seat (refer to Operation Number 40 100 0).
2. Remove the seat slide (refer to Operation Number 40 420 4)
3. Prise off the adjuster wheel cap.



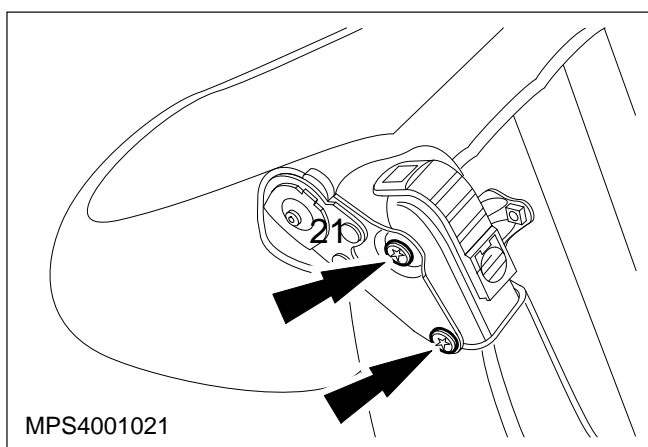
4. Remove the adjuster wheel.



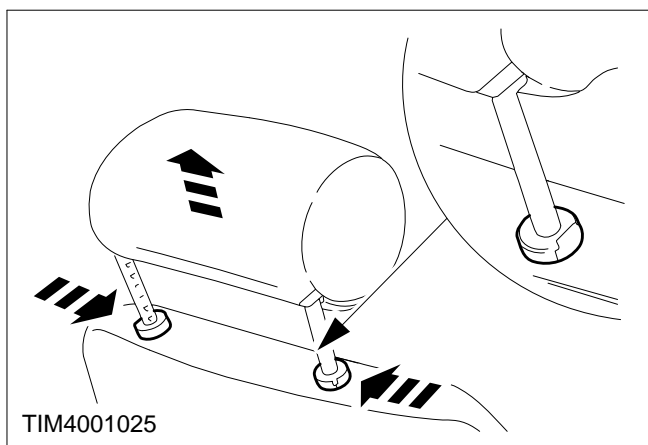
5. Remove the side cover.



6. Remove the hinge cover.



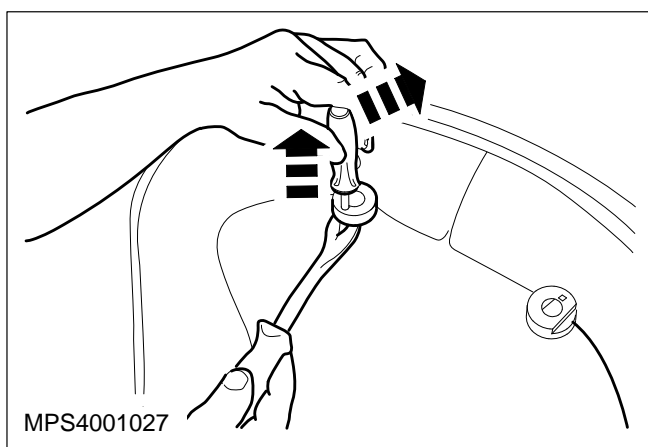
7. Separate the backrest from the cushion (two Torx bolts each side).



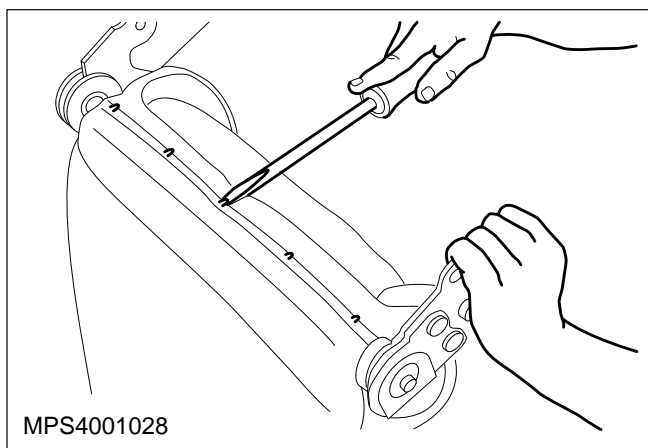
Head Restraint – Front Seat – Remove (40 107 0)

8. Remove the head restraint.

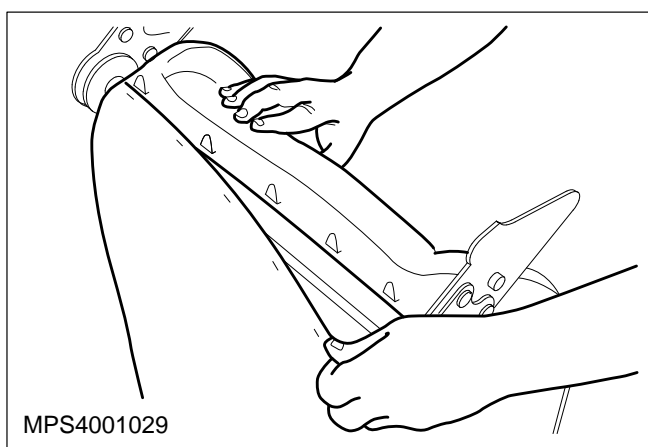
Push in catches and lift out.



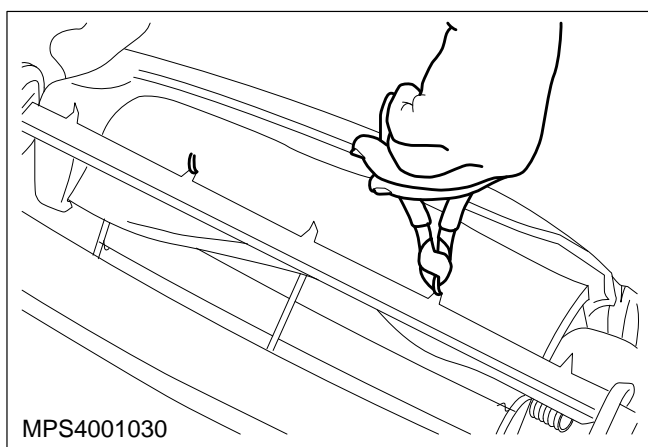
9. Remove the head restraint tubes,



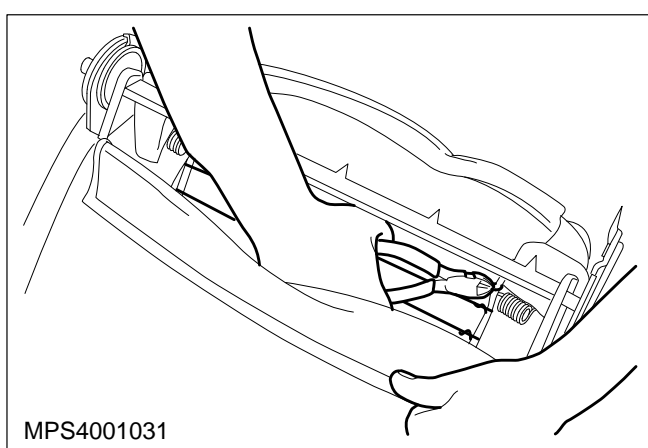
10. Prise up the cover retaining tangs.



11. Release the cover from the retaining tangs.



12. Cut the two lower hog rings.



13. Cut the remaining hog rings progressively up the seat back folding the cover back as you go.

14. Remove the cover and pad.

Install

Head Restraint – Front Seat – Install
(40 107 0)

15. Refit the components in reverse order.

Fit new hog rings.