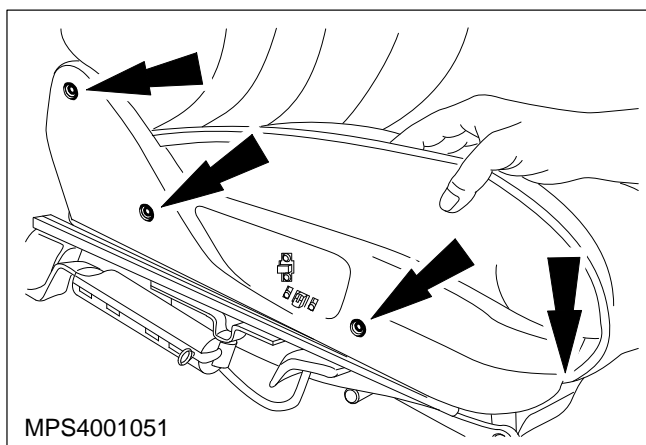


Cover and Pad Assembly – Cushion – Front Seat (High Series) – Remove and Install (40 104 0)

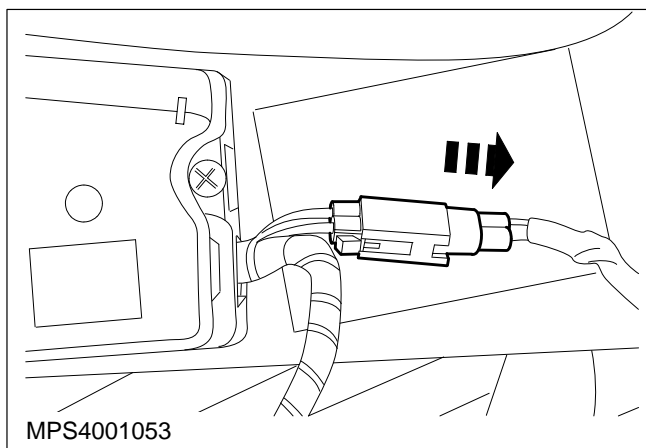
Remove

1. Remove the front seat (refer to Operation Number 40 100 0).
2. Detach the seat side trim (four screws).

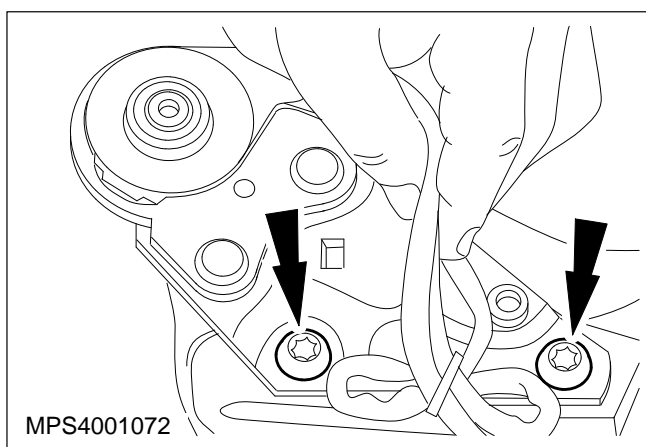


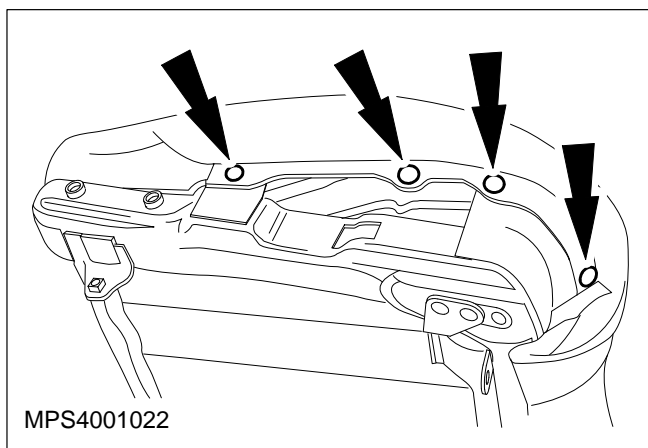
3. Disconnect the multiplug and remove the seat side trim.

Cut any cable ties as necessary and feed the wiring loom free.

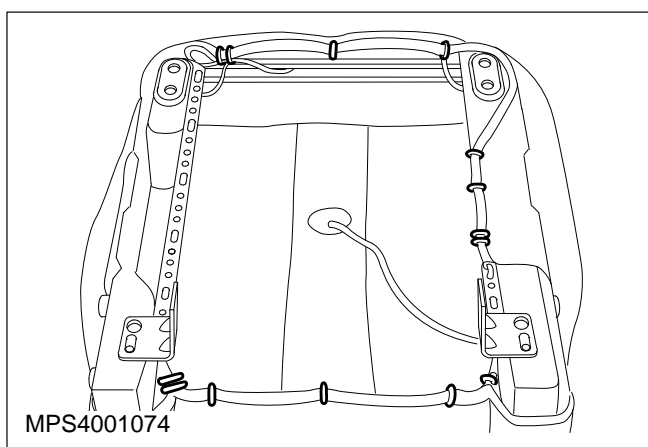


4. Separate the seat cushion and seat back (two Torx bolts on each side).

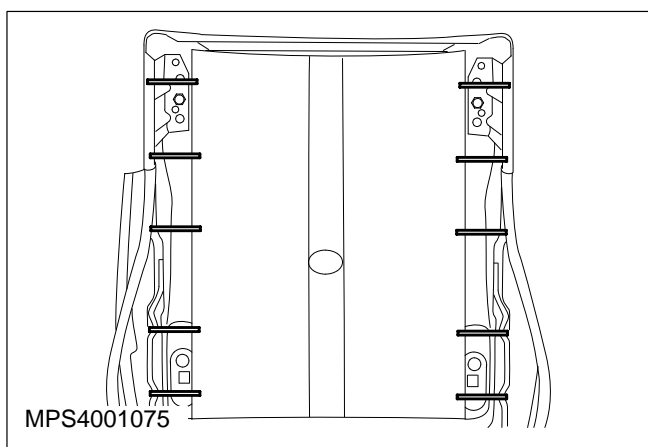




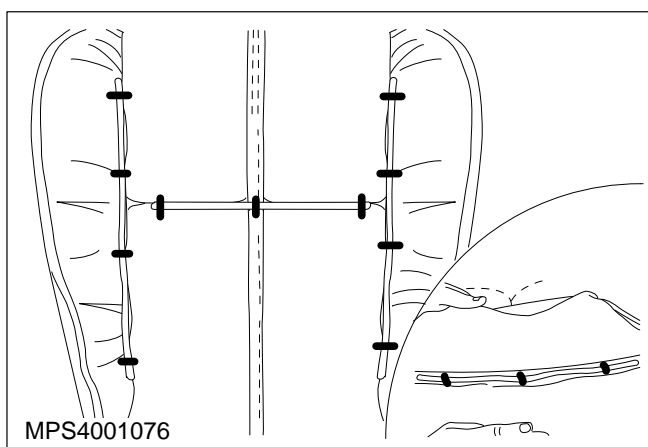
5. Remove the four stud fasteners.



6. Remove the seat cushion and cover (14 hog rings).



7. Remove the wire stretcher (10 springs).



8. Remove the seat cover from the foam backing (11 hog rings).

Peel back the cover to gain access to the hog rings.

Install

9. Refit the components in reverse order.