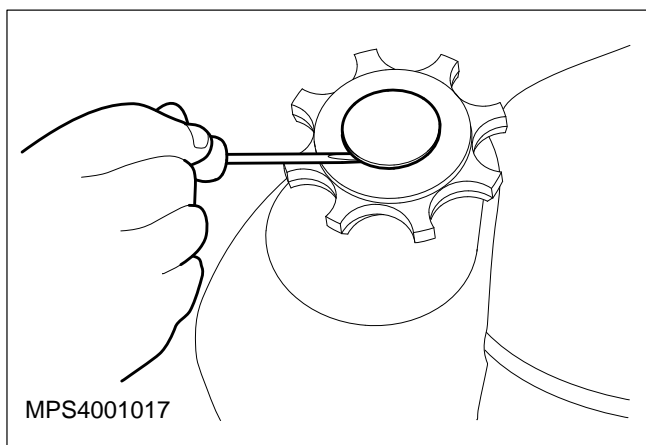
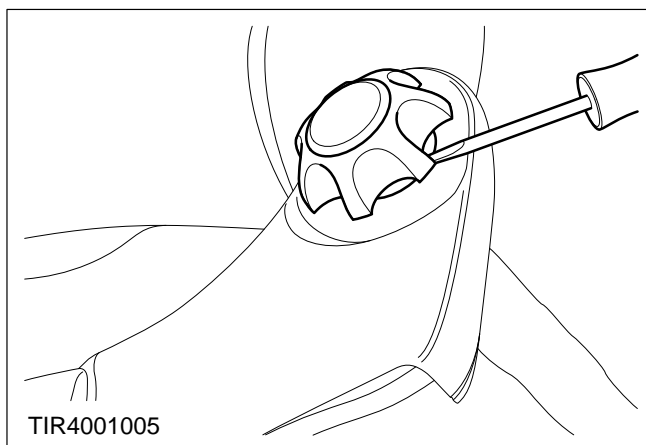


Cover and Pad Assembly – Cushion – Front Seat (Low Series) – Remove and Install (40 104 0)

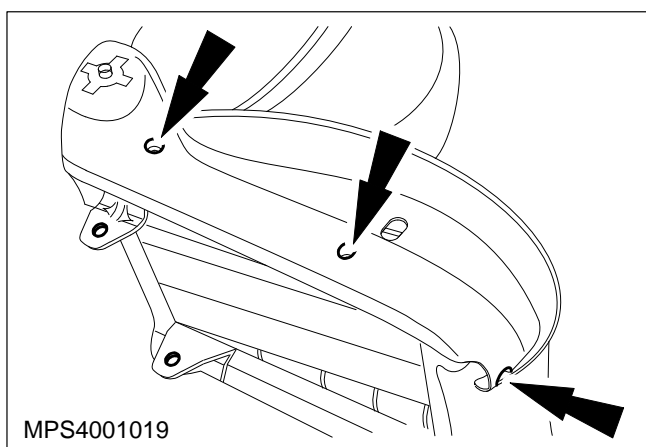


Remove

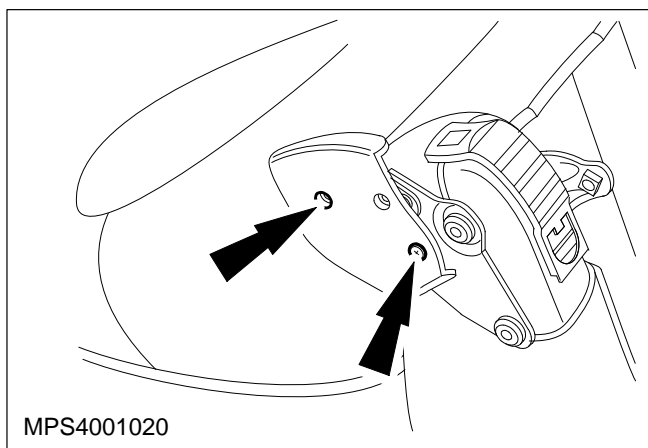
1. Remove the front seat (refer to Operation Number 40 100 0).
2. Remove the seat slide (refer to Operation Number 40 420 4).
3. Prise off the adjuster wheel cap.



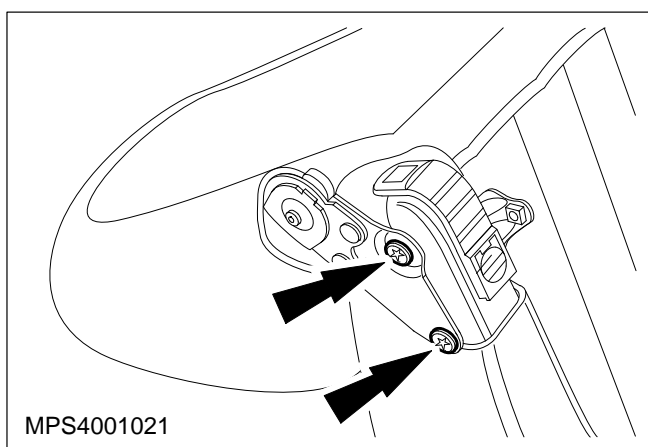
4. Remove the adjuster wheel.



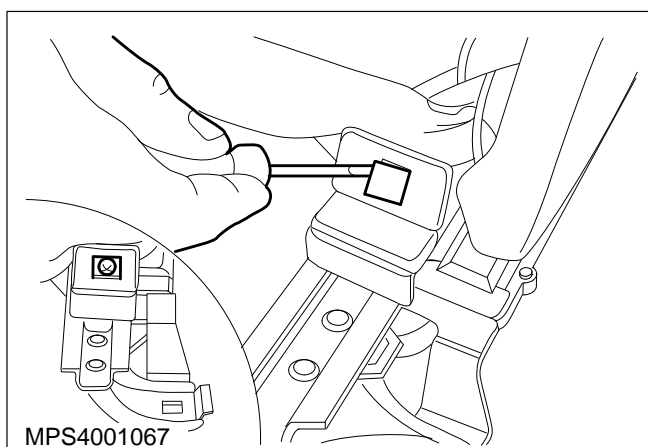
5. Remove the side cover.



6. Remove the hinge cover.

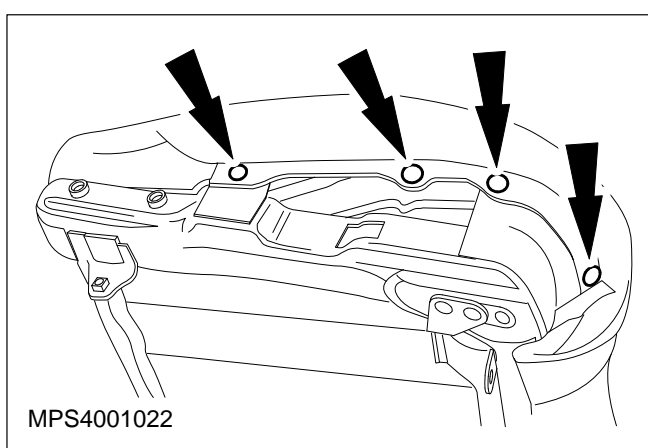


7. Remove the backrest (two Torx bolts each side).

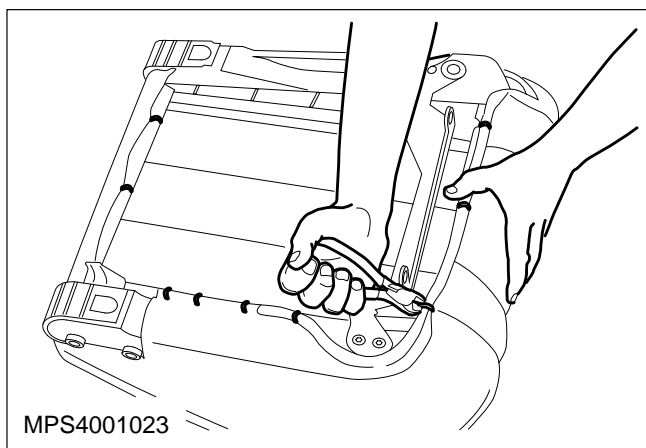


8. Disconnect both of the rear seat runner guards.

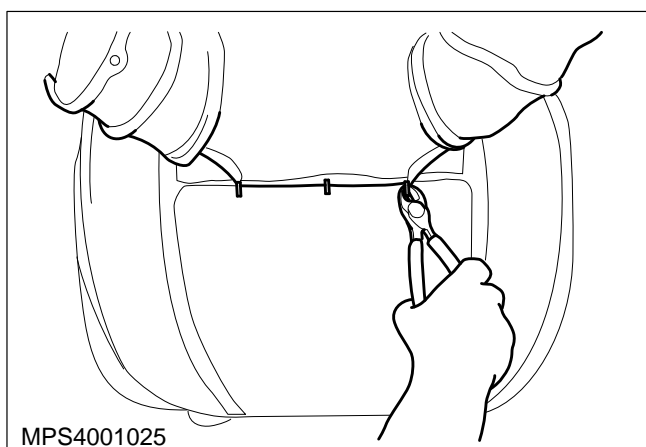
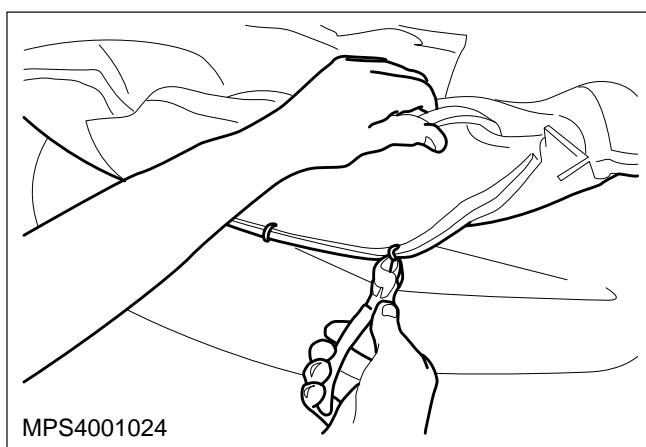
- Prise off the plastic cover (one each side).
- Remove the screw (one each side).



9. Prise out the cover fasteners

**10. Remove the cover.**

Cut the hog rings underside and topside.

11. Remove the pad.**Install****12. Refit the components in reverse order.**

Fit new hog rings.