

## Slide – Front Seat (High Series) – Remove and Install (40 420 0)

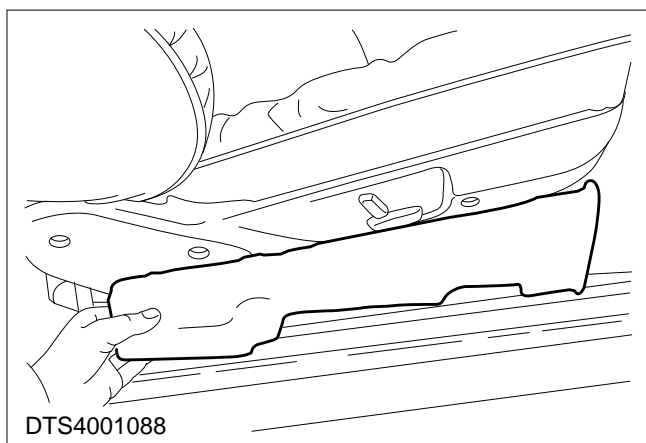
### Remove

**⚠ WARNING:** If the front seat is fitted with a pyrotechnic pretensioner, wait 2 minutes after disconnecting battery before disconnecting the multiplug(s).

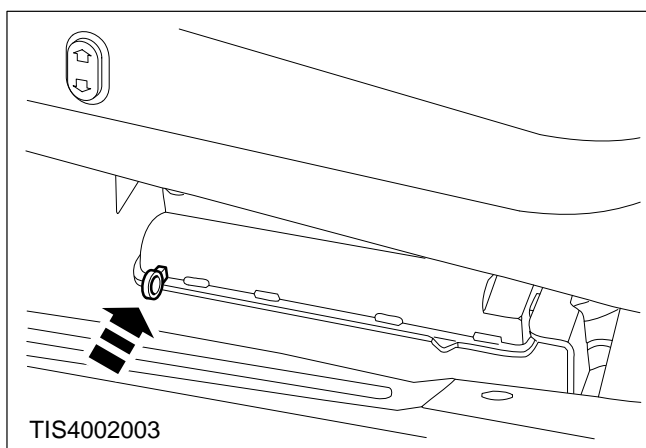
1. Move the seat to the fully forwards position.

**⚠ CAUTION:** Disconnect the battery negative lead.

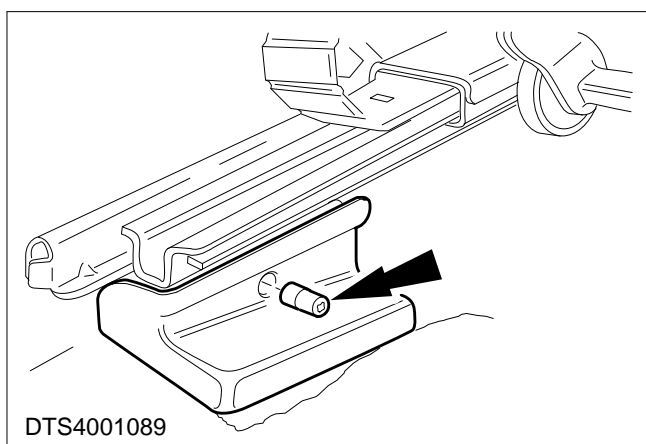
2. Remove the outer runner trim.

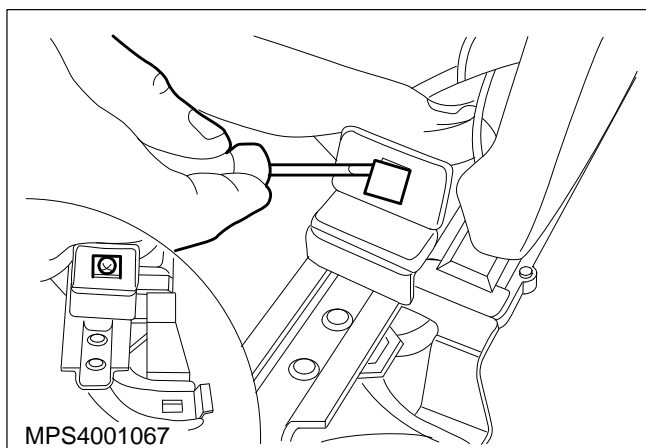


3. If fitted, disable the mechanical seat belt stalk pretensioner with a transit clip.



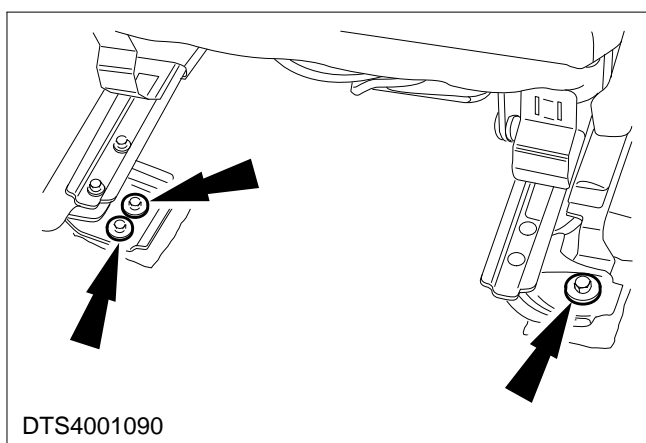
4. Remove the rear side bolt cover (one screw).





**5. Disconnect both of the seat runner guards.**

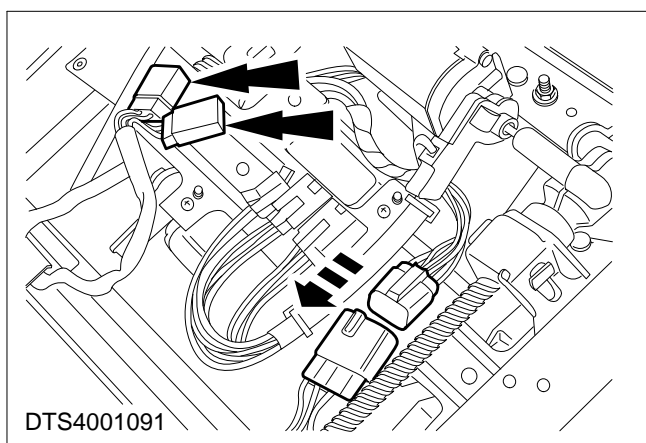
- Prise off the plastic cover (one each side).
- Remove the screw (one each side).



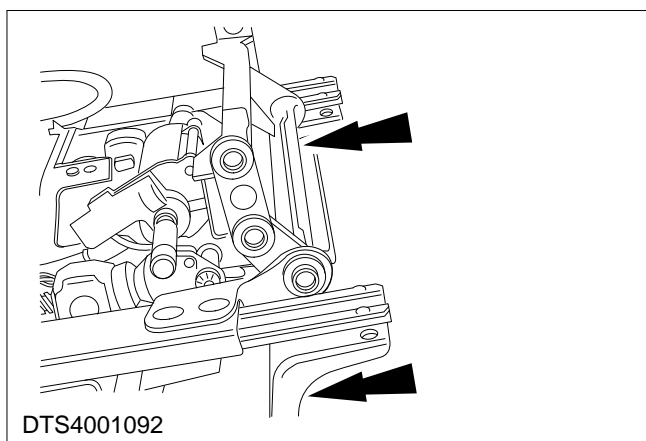
**6. Remove the three rear fixing bolts.**

**7. Move the seat fully rearwards.**

**8. Remove the seat (refer to Operation Number 40 100 0)**



**9. Disconnect the main power loom and unclip the two connectors.**



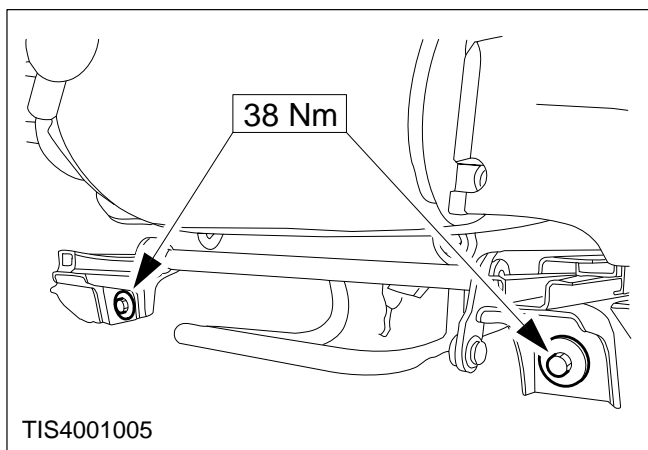
**10. Remove the two front fixing bolts.**

**11. Remove the slide assembly.**

**12. Remove the pretensioner mechanism (refer to Operation 40 212 0).**

**13. Remove the multiplex module (refer to Operation Number 33 669 0).**

**14. Remove the power seat motors (refer to Operation Number 33 784 0).**



Install

**15. Refit the components in reverse order.**

