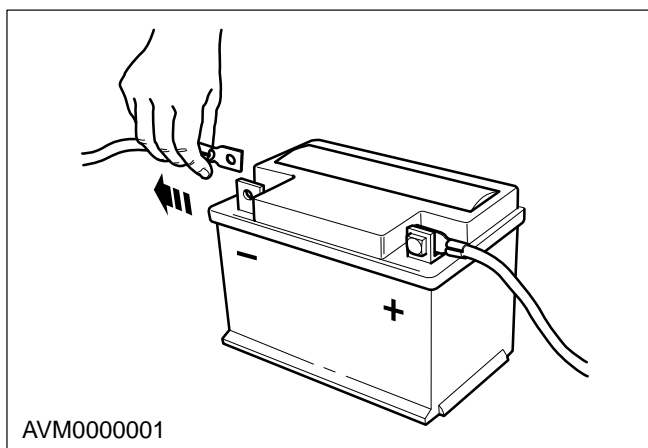
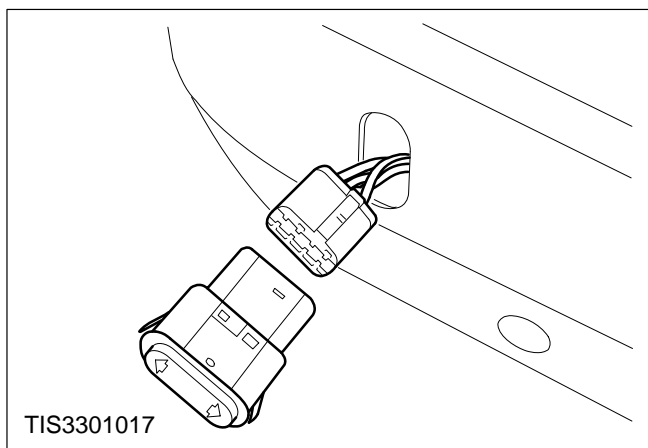


**Slide – Front Seat (Low Series) – Remove and Install (Seat Removed) (40 420 4)**

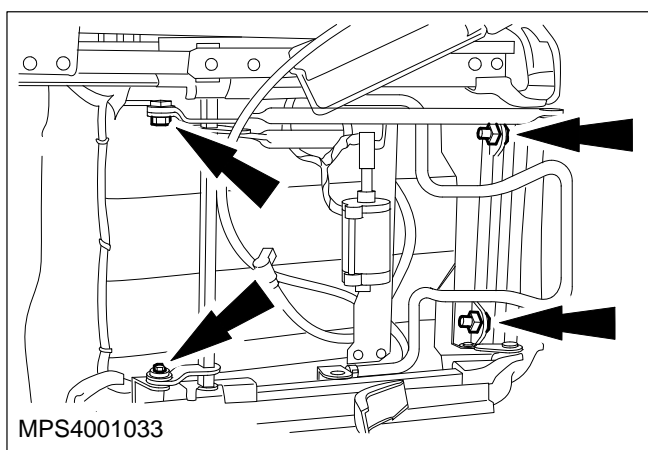


Remove

- 1. Disconnect the battery negative lead.**



- 2. Remove the switch.**  
Disconnect the multiplug.



- 3. Remove the slide (four bolts).**

Install

4. Refit the components in reverse order.