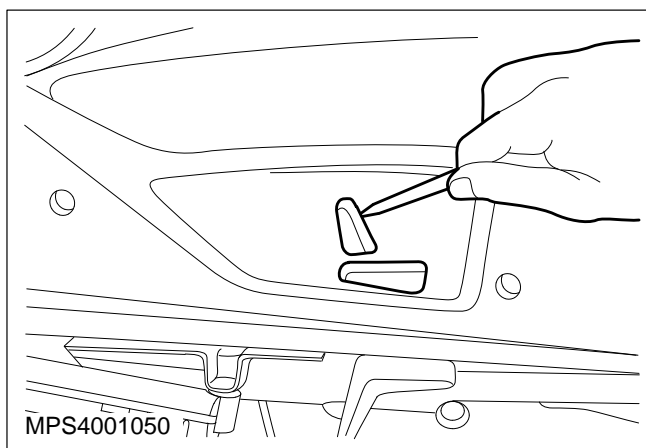


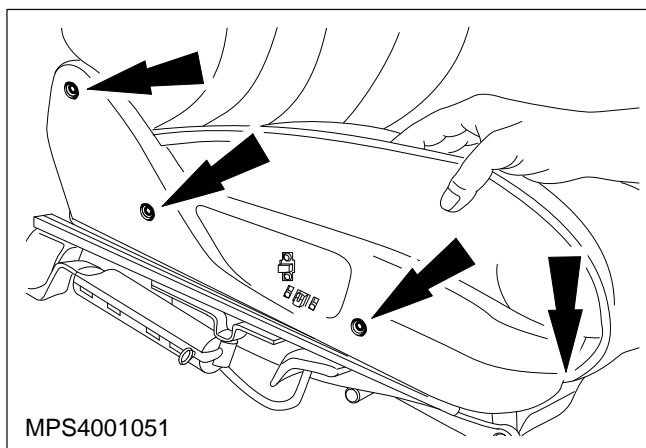
Switch – Multi Front Seat – Remove and Install (33 581 0)

Remove

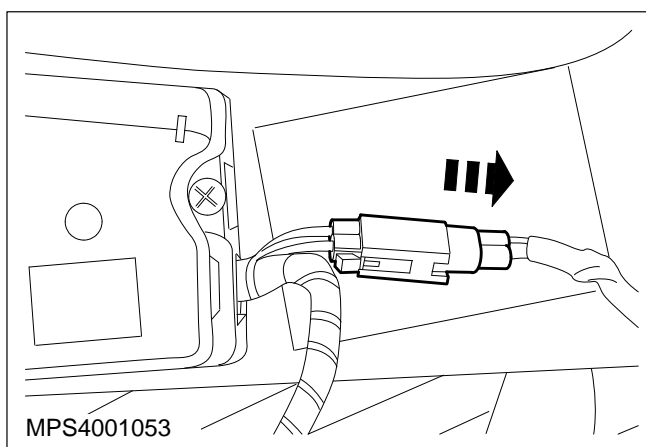
1. Remove the front seat (refer to Operation Number 40 100 0).
2. Prise off the levers.

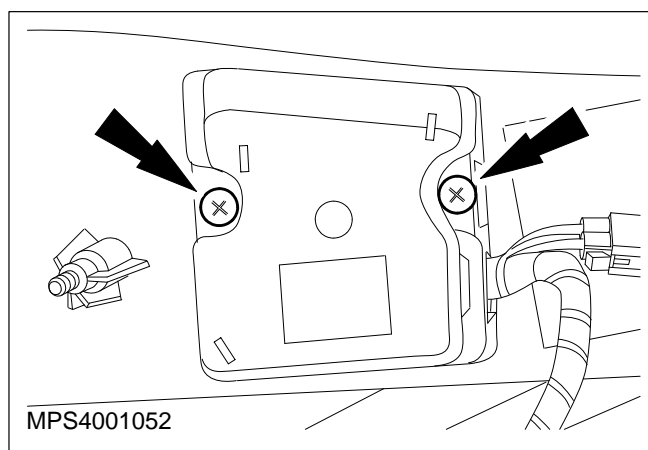


3. Detach the seat trim (four screws).



4. Disconnect the multiplug.





5. Release the switch housing (two screws).
6. Cut any cable ties as necessary to remove the switch assembly.

Install

7. Refit the components in reverse order.