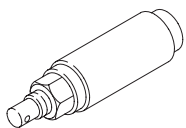


Lower Arm – Rear Axle – Remove and Install (15 705 0)

Special Tools

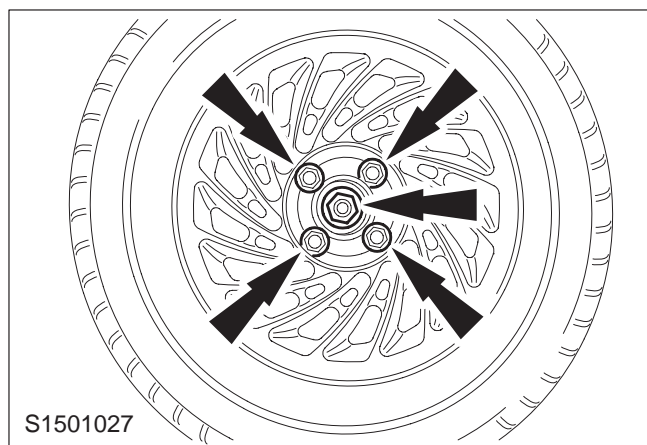
	14-037 Wheel hub installer
---	--------------------------------------

Proprietary Tools

Two-legged puller
Torque wrench HAZET 6292-1CT with 19 mm ring spanner attachment 6630d

Workshop Equipment

Transmission jack	
Trolley jack	



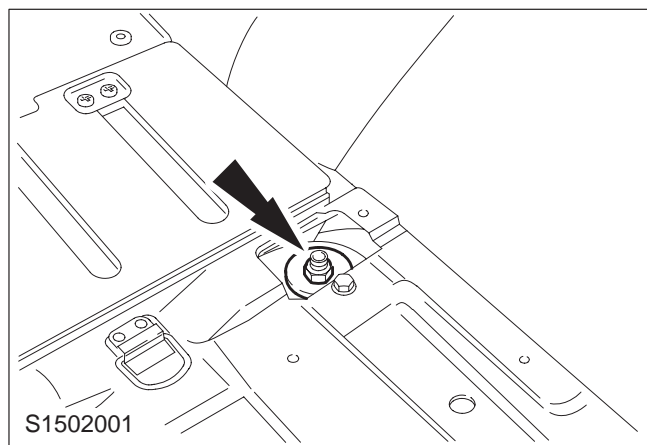
Remove

1. Loosen the rear wheel.

- Remove the wheel trim cap.

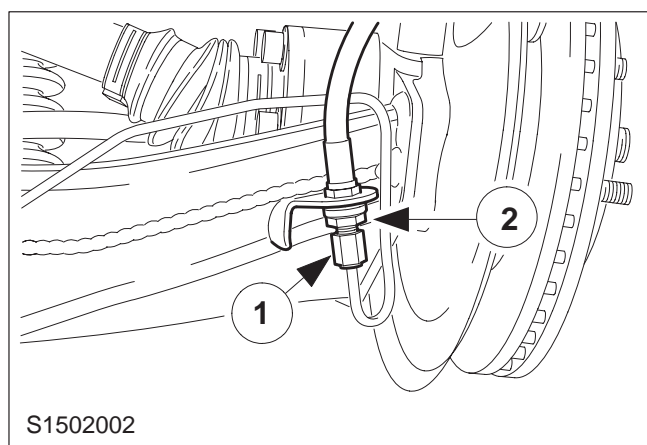
NOTE: Use a suitable socket wrench.

- Loosen the nut on the driveshaft stub.
- Loosen the wheel nuts.



2. Detach the shock absorber at the top.

- Pull the load space carpet to one side and remove the cover.
- Unscrew the nut and remove it with the washer.

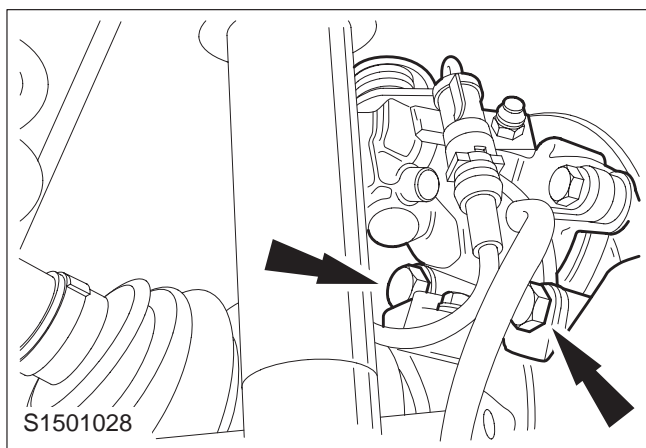


3. Raise the vehicle.

4. Remove the rear wheel.

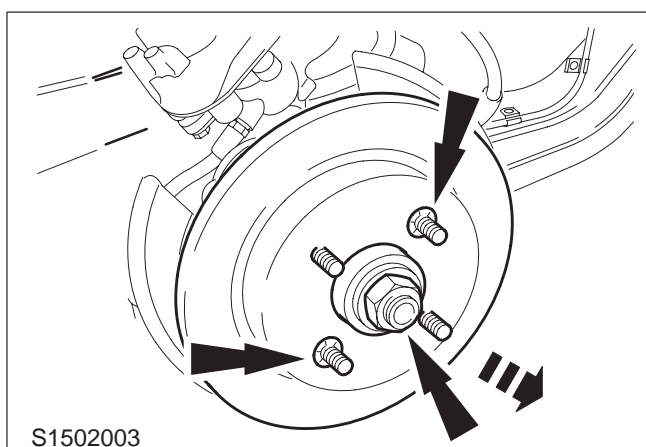
5. Detach the brake pipe and brake hose.

- 1 Unscrew the brake pipe.
 - 2 Detach the brake hose from the bracket.
- Remove the lock nut.



6. Detach the brake caliper (saloon shown).

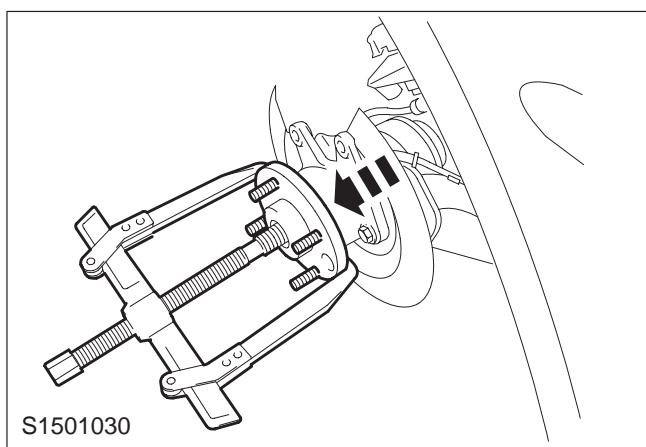
- Release the handbrake cable from the clip on the suspension arm.
- Tie up the brake caliper.



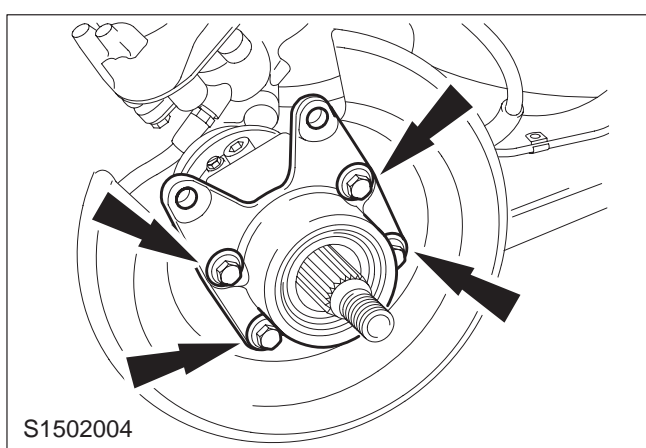
7. Detach the brake disc.

- Remove the lock washers.
- Pull off the brake disc.

8. Unscrew the nut on the driveshaft stub.

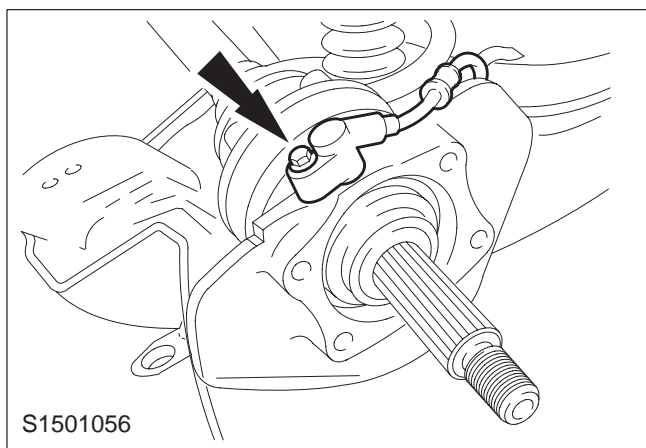


9. Pull off the hub using a two legged puller.



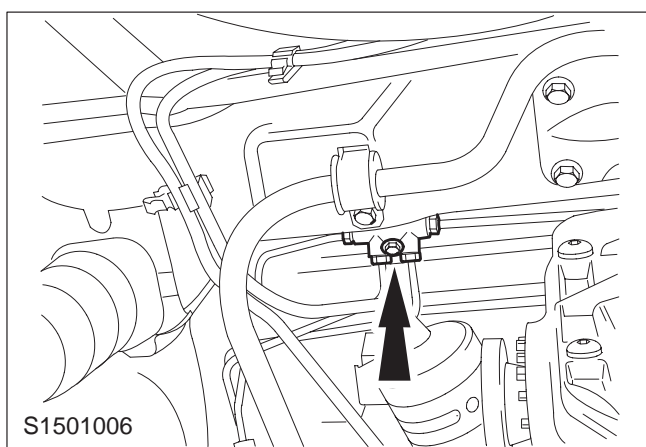
10. Detach the rear wheel bearing carrier.

Remove the splash shield.

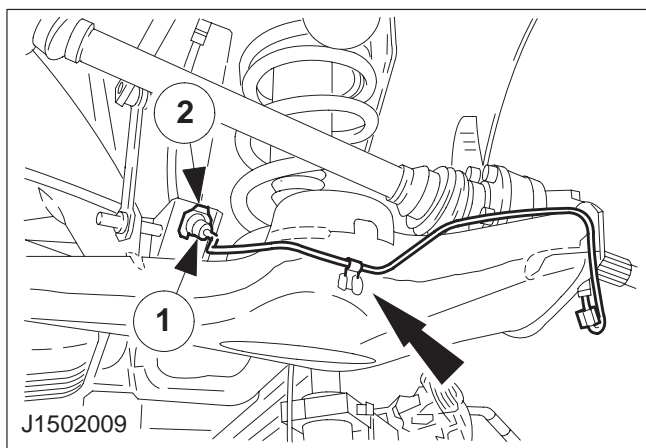


11. Detach the ABS sensor (one bolt).

Detach the pipe from the suspension arm (three clips).

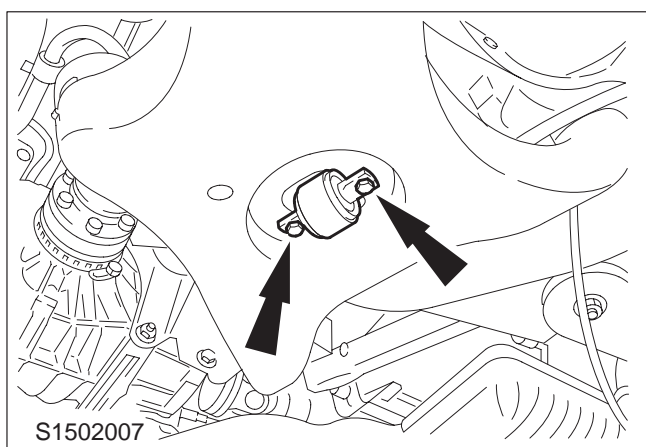


12. Detach the distribution fitting from the floor pan (only left-hand suspension arm).

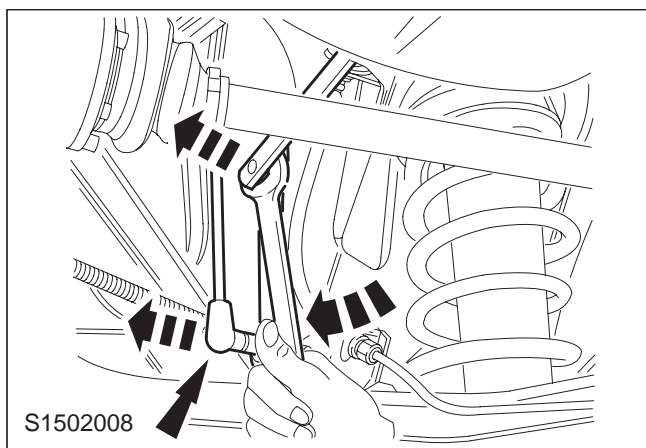


13. Detach the brake pipe from the suspension arm.

- 1 Unscrew the brake pipe and seal the openings.
- 2 Prise off the U-bolt.
 - Pull the brake hose out of the bracket.
 - Unclip the brake pipe.

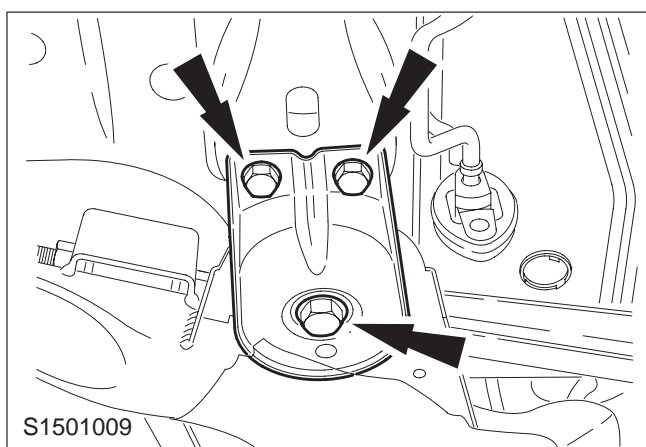


14. Detach the shock absorber at the bottom.



NOTE: Disconnect the ball coupling from the linkage when self-levelling suspension is fitted.

15. Detach the stabiliser bar from the linkage at the top.

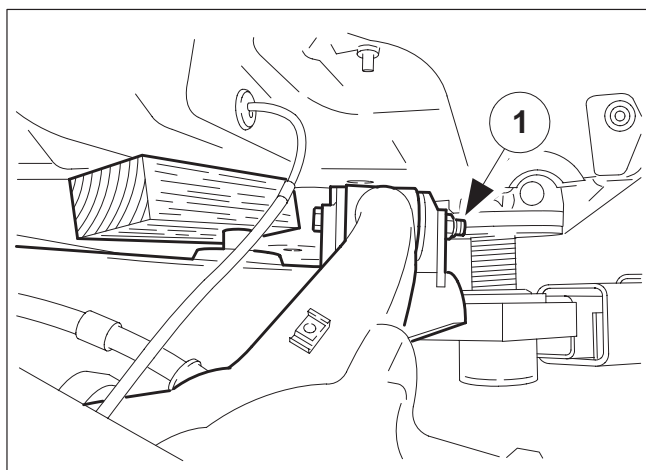


16. Detach the guide plate from the rear axle crossmember.

17. Remove the spring and the shock absorber.

18. Support the suspension arm with a transmission jack.

19. Tie the rear driveshaft to the fuel tank.

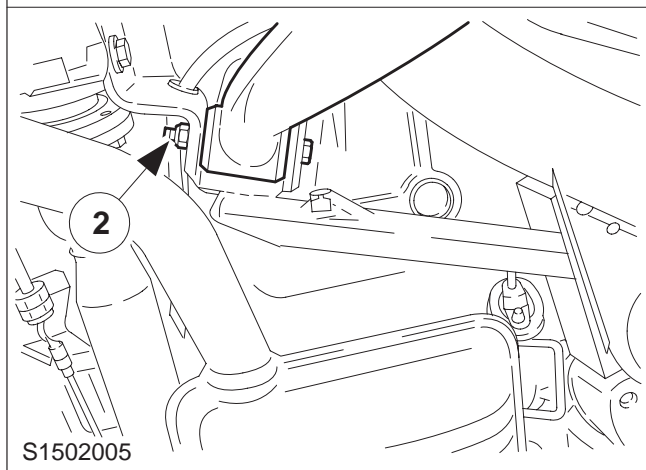


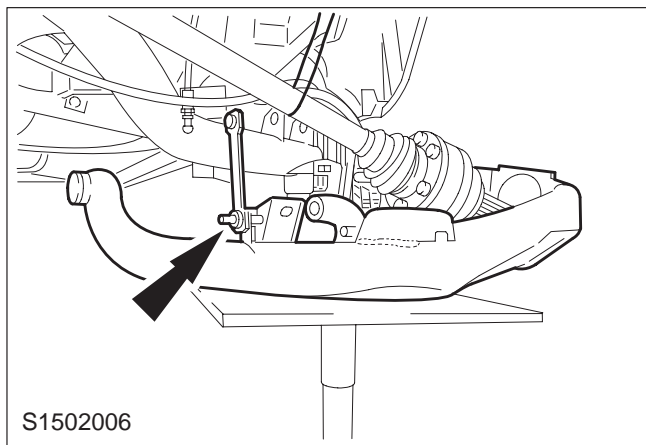
20. Put a wooden block between the floor assembly and the rear axle crossmember.

21. Detach the suspension arm from the rear axle crossmember.

1 Outer bolt.

2 Inner bolt.





22. Lower the suspension arm and remove it.

23. Detach the stabiliser bar linkage at the bottom.

Install

24. Attach the stabiliser bar linkage at the bottom.

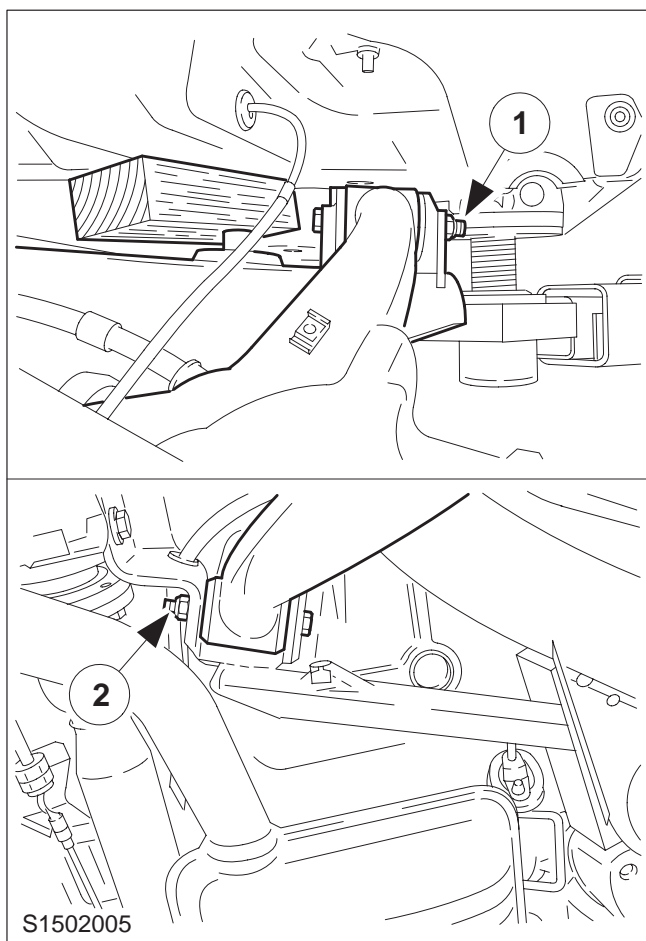
25. Locate the suspension arm in position.

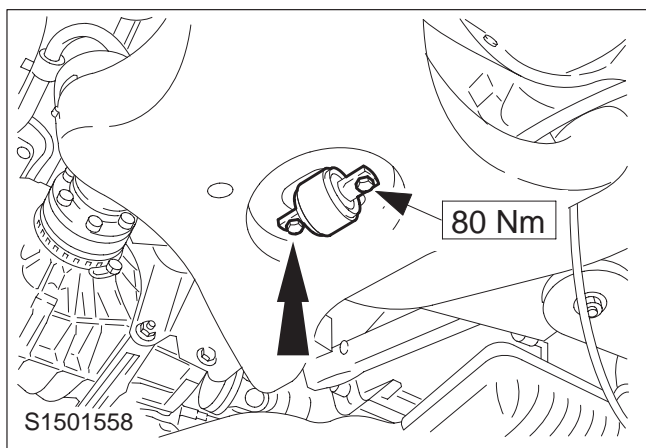
26. Screw on the suspension arm loosely.

1 Outer bolt.

2 Inner bolt.

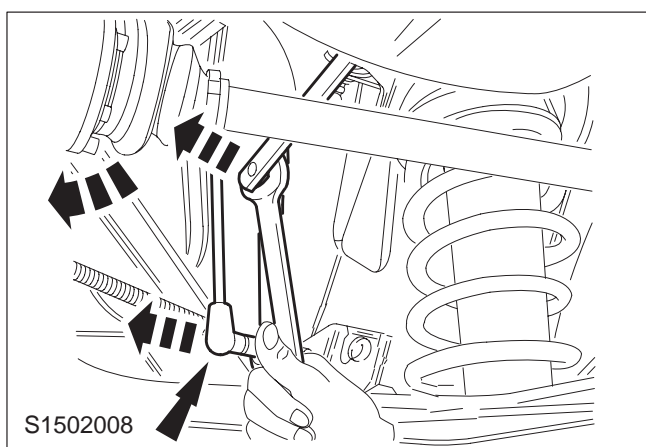
27. Remove the wooden block.





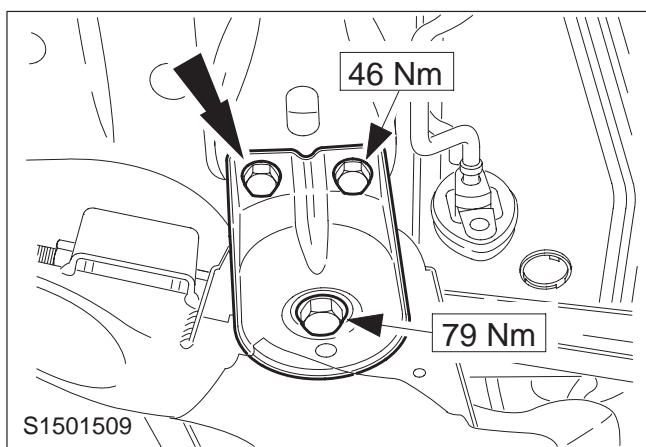
28. Fit the spring and the shock absorber.

29. Attach the shock absorber at the bottom.



NOTE: Connect the ball coupling to the linkage when self-levelling suspension is fitted.

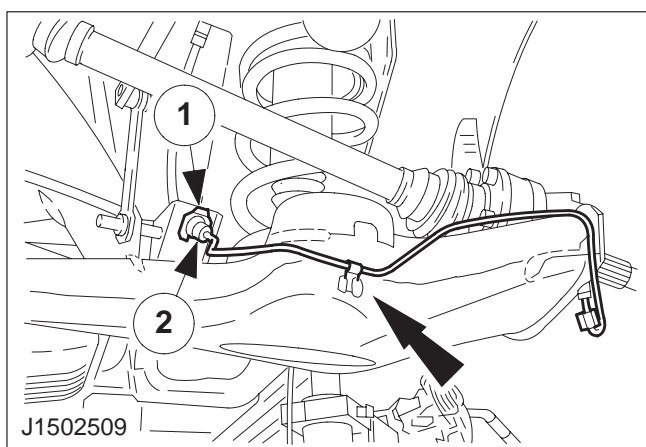
30. Hook the stabiliser bar linkage in place at the top.



NOTE: Insert the shock absorber correctly at the top.

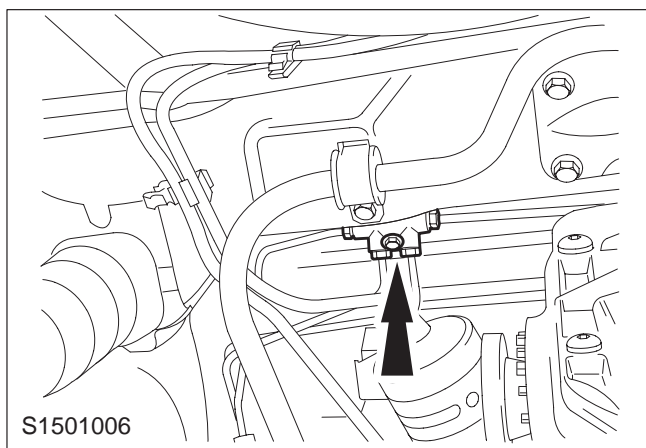
31. Raise the suspension arm with a transmission jack.

32. Attach the guide plate to the rear axle crossmember.

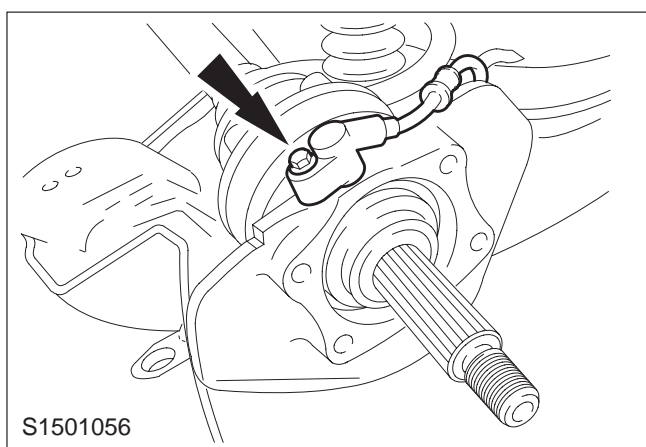


33. Attach the brake pipe to the suspension arm.

- 1 Insert the brake hose in the bracket and fit the U-bolt.
- 2 Screw on the brake pipe.
 - Clip the brake pipe in place.

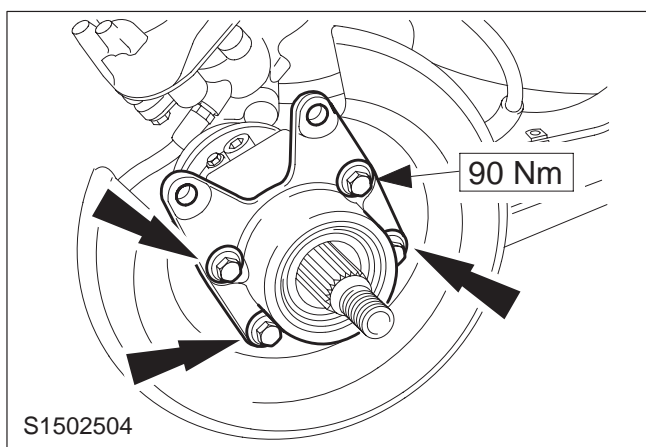


- 34. Bolt the brake pipe distribution fitting onto the floor assembly (only the left-hand lower suspension arm).**

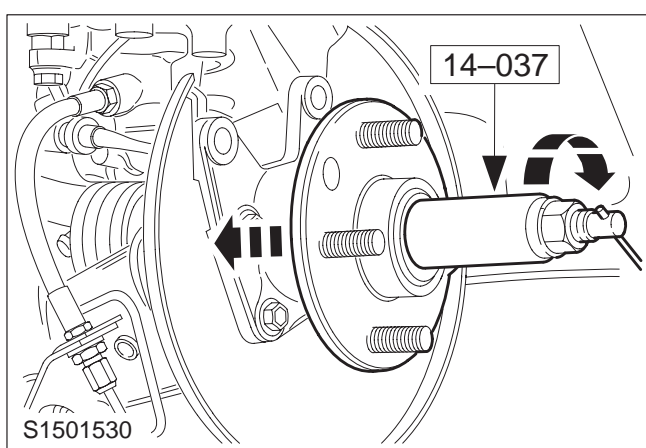


- 35. Fit the ABS sensor (one bolt).**

Secure the ABS sensor wiring to the suspension arm (three clips).

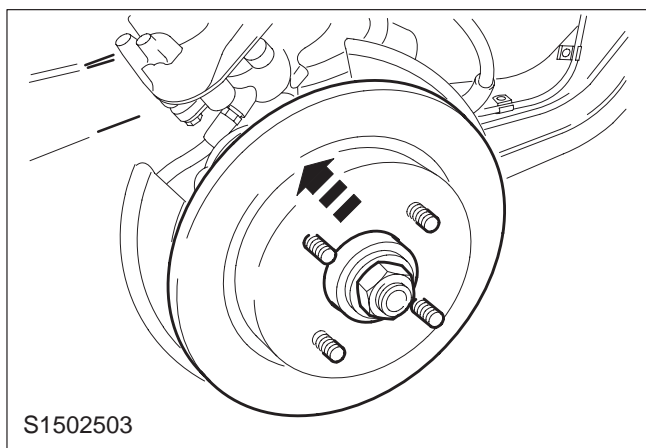


- 36. Fit the bearing carrier and the splash shield.**

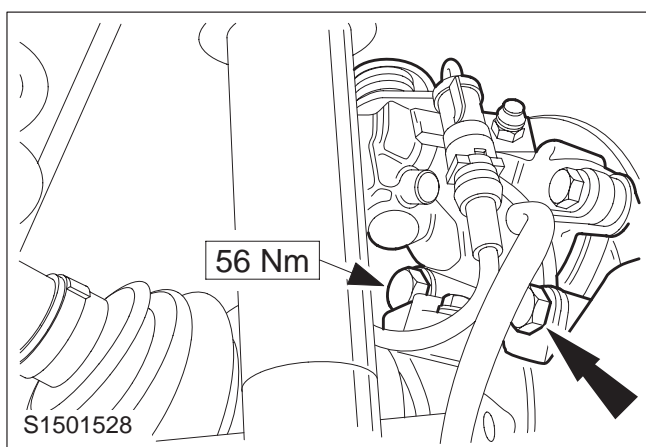


- 37. Fit the wheel hub.**

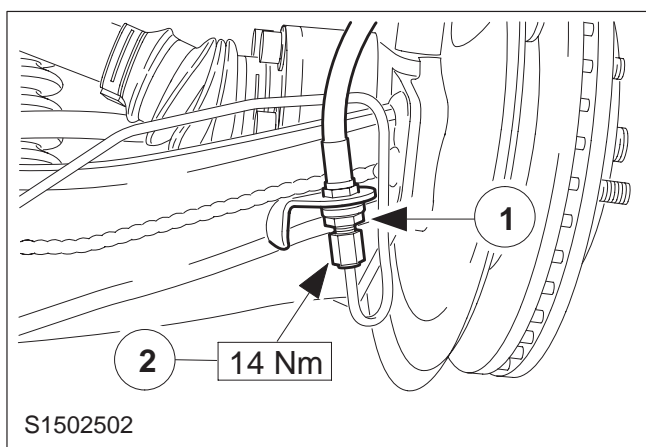
- 38. Screw on the drive shaft stub nut.**



39. Fit the brake disc.

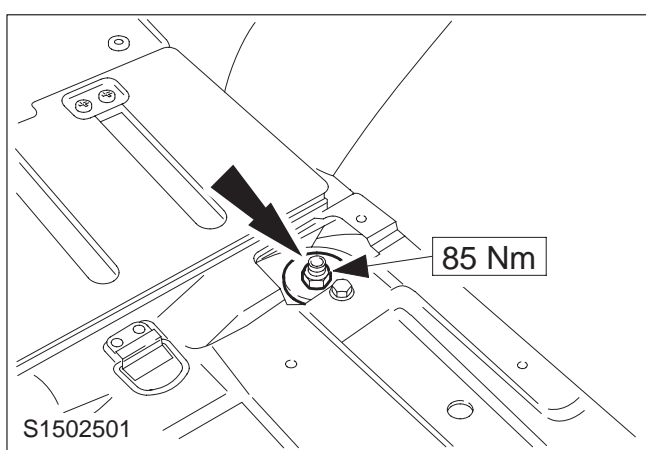


40. Fit the brake caliper (saloon shown).



41. Fit the brake pipe and brake hose.

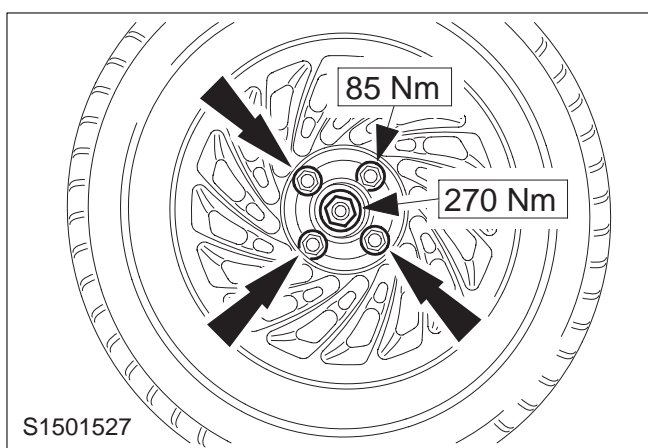
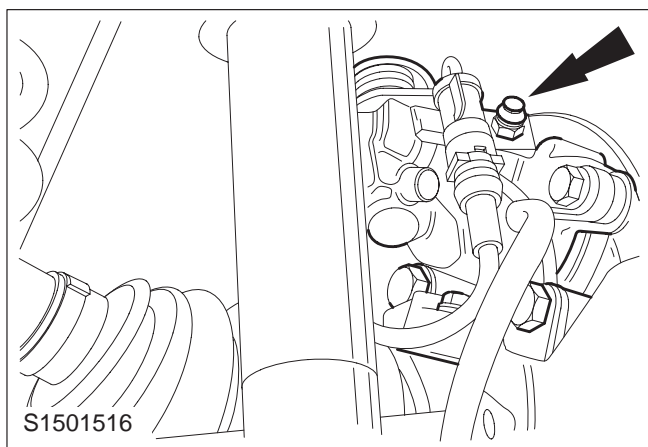
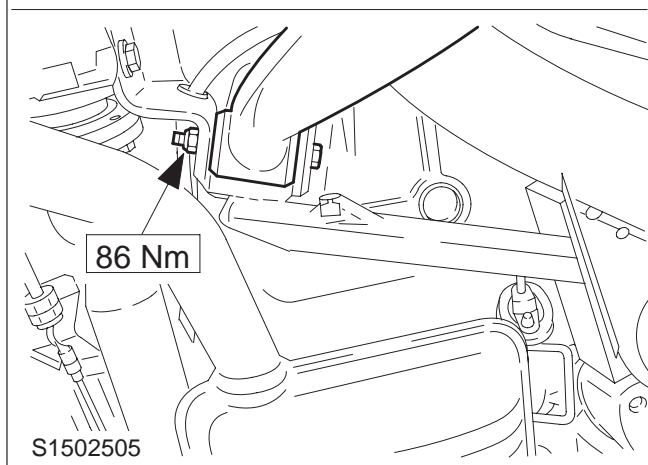
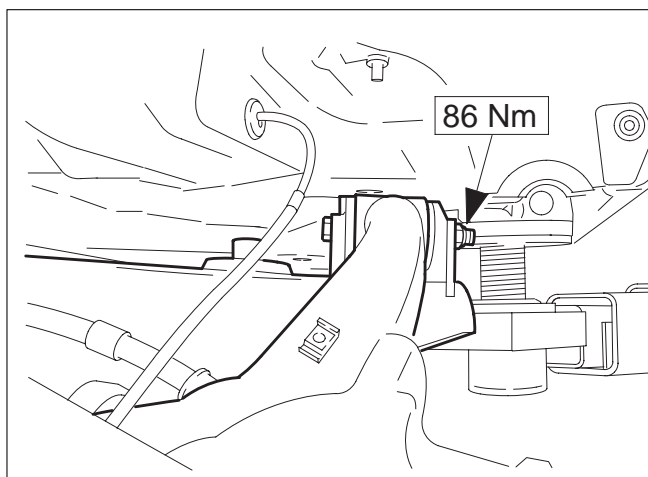
- 1 Attach the brake hose to the bracket.
- 2 Fit and tighten the brake pipe on the brake hose.



42. Fit the shock absorber at the top.

- Lower the vehicle.
- Place a trolley jack under the rear axle crossmember.
- Raise the crossmember and align it in its mounting. Guide the shock absorber into its top mount.
- Screw on the shock absorber (nut with washer).

43. Fit the cover and lay the carpet flat.



44. Raise the vehicle.

45. Raise the suspension arm with a transmission jack.

46. Tighten the suspension arm bolts.

47. Bleed the brake system as described in Operation 12 141 0 (saloon shown).

48. Fit the rear wheel.

- Screw on the wheel nuts.
- Lower the vehicle.
- Tighten the wheel nuts.

NOTE: Use a suitable socket wrench.

- Tighten the nut on the driveshaft stub.