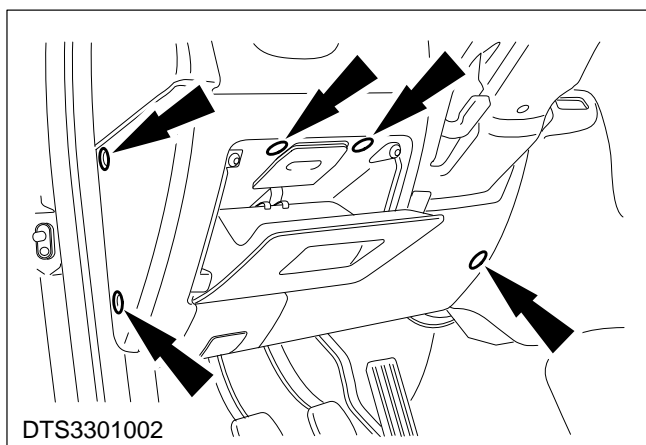


## Switch – De-activator – Pedal – Remove and Install (33 502 0)

### Remove

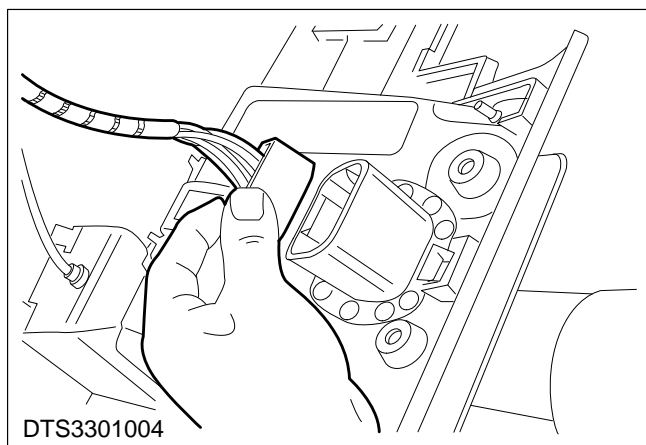
**⚠ CAUTION:** Disconnect the battery negative lead.

1. Remove the driver's side lower crash pad/facia panel (five screws).



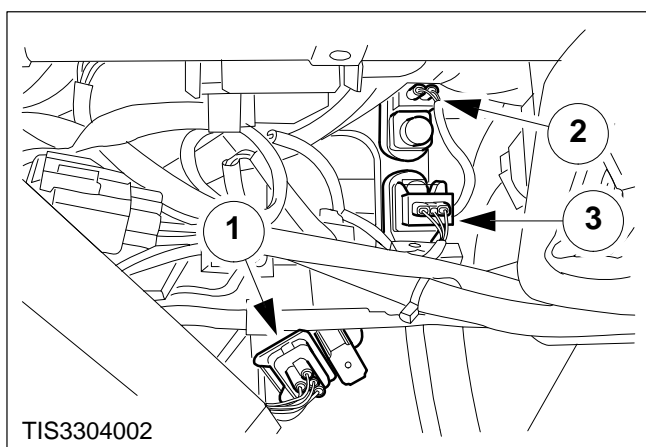
**NOTE:** There is no need to disconnect the hood release cable when detaching the diagnostic connector.

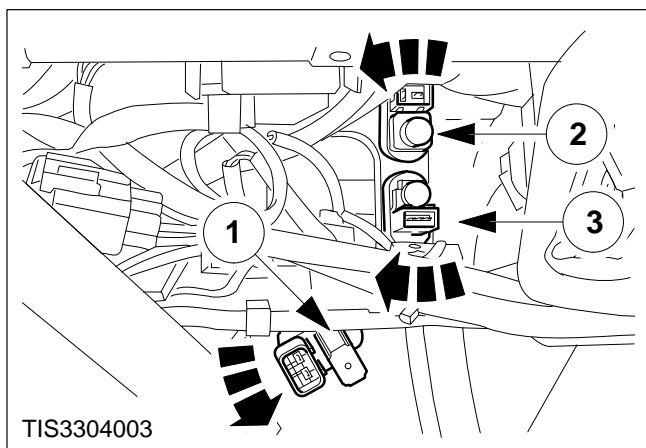
2. Detach the diagnostic connector and lower the panel to the floor.



3. Disconnect the appropriate speed control de-activator or stop lamp switch multiplug.

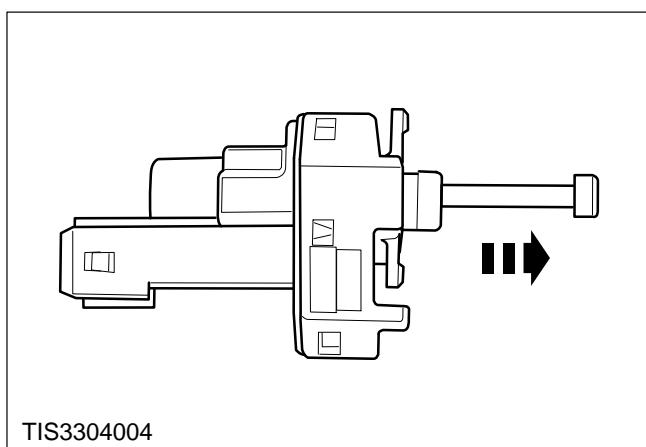
- 1 Clutch pedal switch multiplug.
- 2 Brake pedal switch multiplug.
- 3 Stop lamp switch multiplug.





**4. Twist and remove the appropriate speed control de-activator or stop lamp switch.**

- 1 Clutch pedal switch.
- 2 Brake pedal switch.
- 3 Stop lamp switch.



**Install**

**5. Reset the brake pedal operated switch(es).**

**NOTE:** The clutch switch does not need to be reset.

- 1 Pull out the switch plunger to its full extent.
- 2 Depress the brake pedal.
- 3 Twist and locate the brake switch(es) in position.
- 4 Slowly release the brake pedal.

**6. Refit the remaining components in reverse order.**